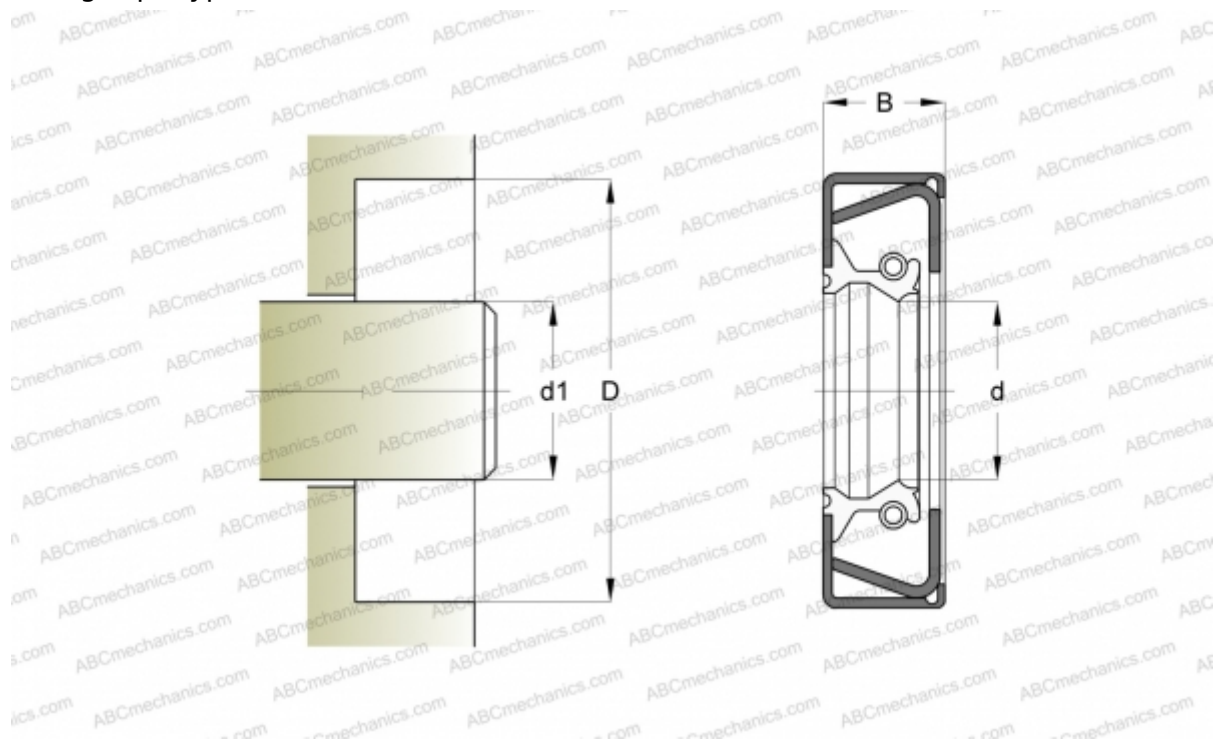


37395 SKF

Radial shaft seals

TYPE: Radial shaft seals, Metal case and a secondary reinforcement in the side face, With spring-loaded sealing slip, Type CRWHA1, material MVQ/VMQ (SKF)



Technical specification

DIMENSIONS, MM

d1	95,250
d	95,250
D	120,675
B	11,125

MANUFACTURER [SKF](#)

INTERCHANGE

CR	CR 37395
----	--------------------------

CALCULATION DATA

Operating temperature min	-70 °C
Operating temperature max	160 °C
Permissible operating temperature, short periods max	180 °C
Pressure differential max	0,070 Mpa
Maximum shaft surface speed	32,420 m/s