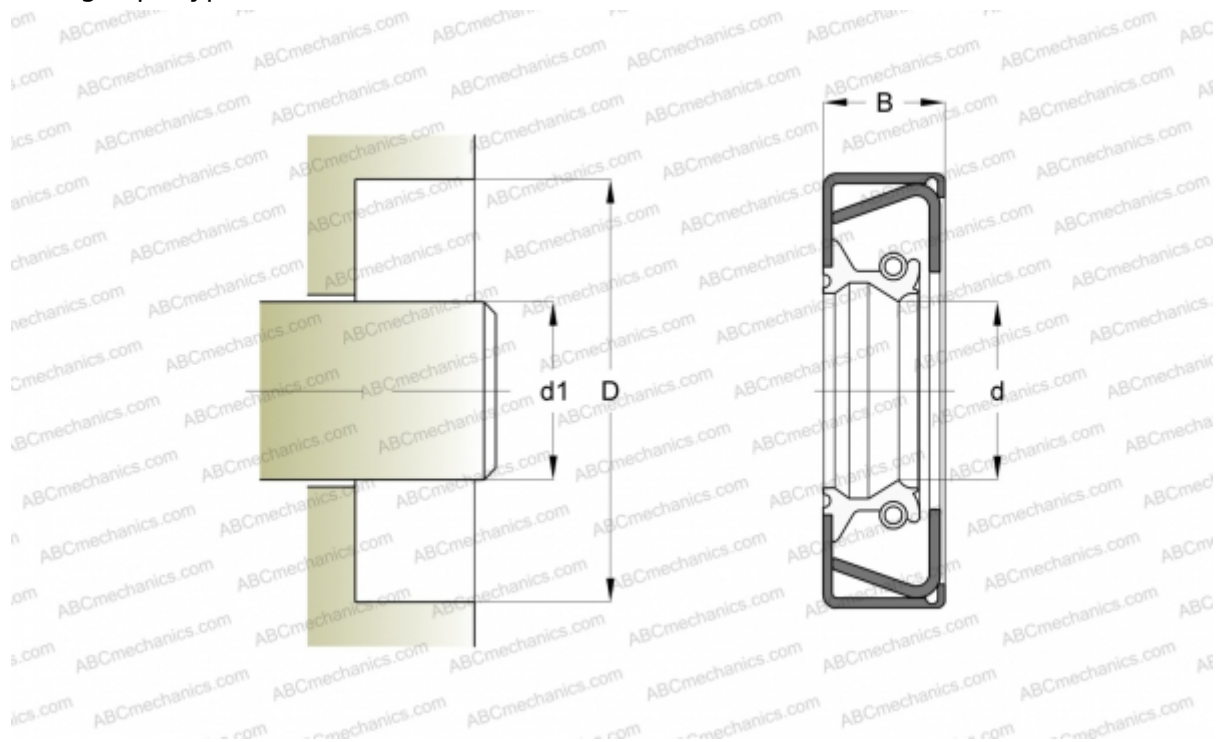


## CR 16257 CR

Radial shaft seals

TYPE: Radial shaft seals, Metal case and a secondary reinforcement in the side face, With spring-loaded sealing slip, Type CRWHA1, material FPM/FKM (SKF)



### Technical specification

#### DIMENSIONS, MM

$d_1$	41,275
$d$	41,275
$D$	63,551
$B$	9,500

**MANUFACTURER** [CR](#)

#### INTERCHANGE

SKF	<a href="#">16257</a>
-----	-----------------------

#### CALCULATION DATA

Operating temperature min	-40 °C
Operating temperature max	200 °C
Permissible operating temperature, short periods max	220 °C
Pressure differential max	0,070 Mpa
Maximum shaft surface speed	18,000 m/s