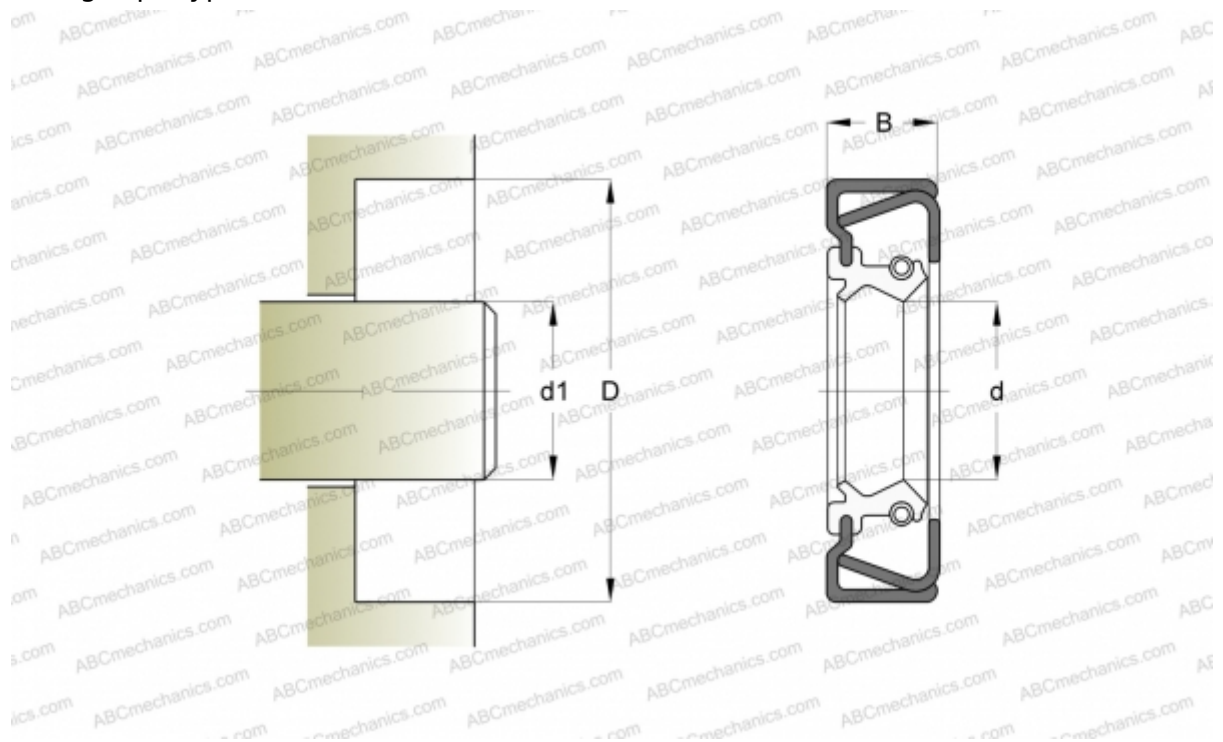


CR 25587 CR

Radial shaft seals

TYPE: Radial shaft seals, Metal case and a secondary reinforcement in the side face, With spring-loaded sealing slip, Type CRSHA1, material ACM (SKF)



Technical specification

DIMENSIONS, MM

d_1	65,100
d	65,100
D	88,900
B	12,700

MANUFACTURER [CR](#)

INTERCHANGE

SKF [25587](#)

CALCULATION DATA

Operating temperature min	-40 °C
Operating temperature max	150 °C
Permissible operating temperature, short periods max	170 °C
Pressure differential max	0,070 Mpa
Maximum shaft surface speed	16,500 m/s