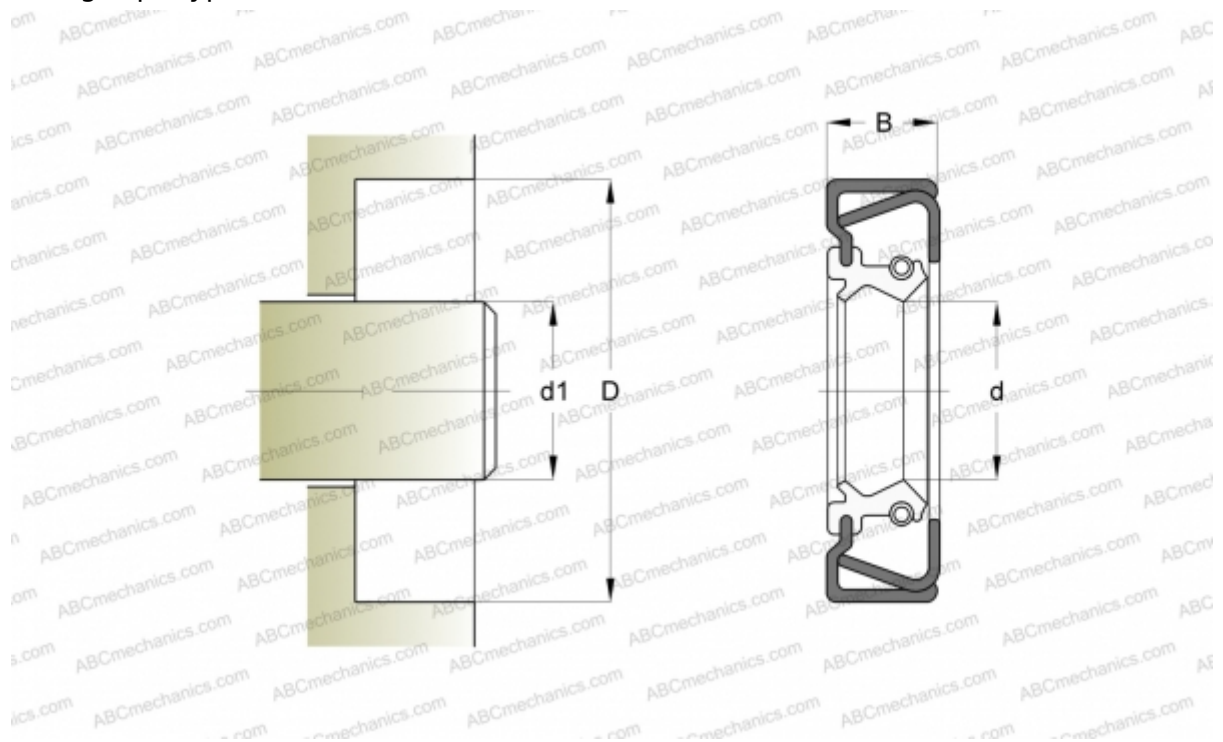


## 60x80x10 CRSHA1 R SKF

Radial shaft seals

TYPE: Radial shaft seals, Metal case and a secondary reinforcement in the side face, With spring-loaded sealing lip, Type CRSHA1, material NBR (SKF)



### Technical specification

#### DIMENSIONS, MM

$d_1$	60,000
$d$	60,000
$D$	80,000
$B$	10,000

**MANUFACTURER** [SKF](#)

#### INTERCHANGE

CR [CR 60x80x10 CRSHA1 R](#)

#### CALCULATION DATA

Operating temperature min	-40 °C
Operating temperature max	100 °C
Permissible operating temperature, short periods max	120 °C
Pressure differential max	0,070 Mpa
Maximum shaft surface speed	10,000 m/s