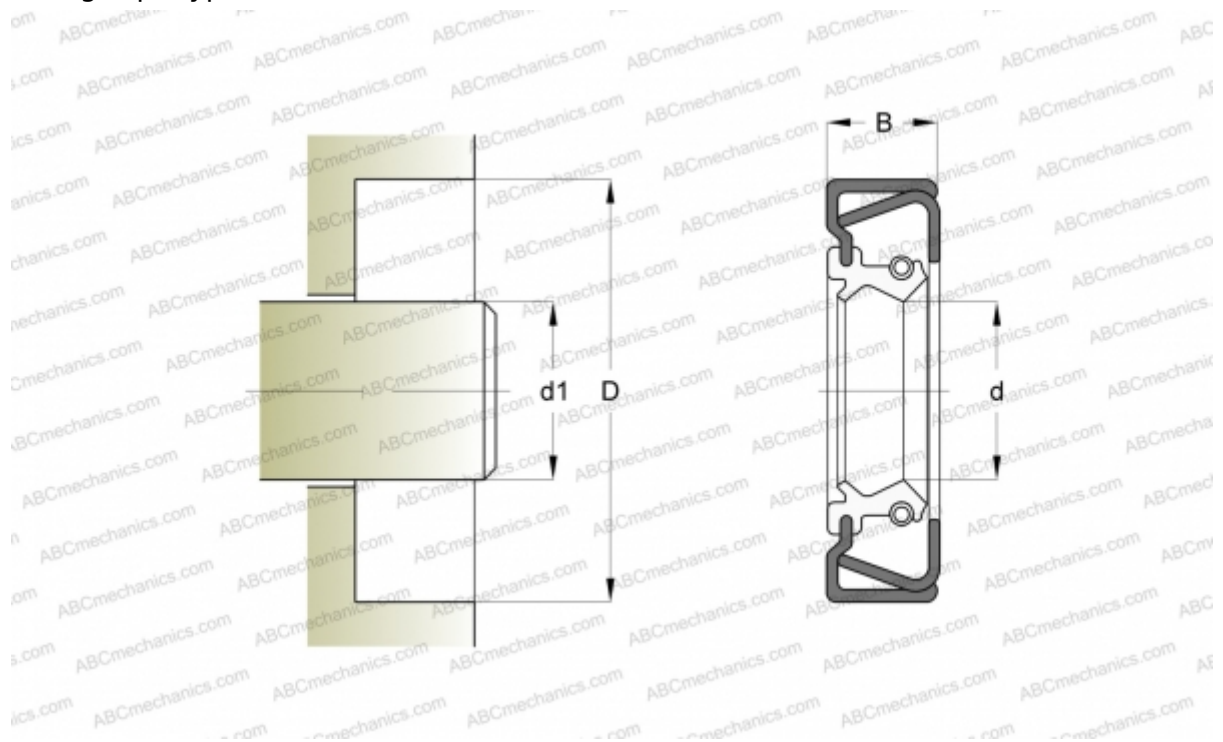


CR 8213 CR

Radial shaft seals

TYPE: Radial shaft seals, Metal case and a secondary reinforcement in the side face, With spring-loaded sealing slip, Type CRSHA1, material NBR (SKF)



Technical specification

DIMENSIONS, MM

d1	19,837
d	19,837
D	44,501
B	7,950

MANUFACTURER [CR](#)

INTERCHANGE

SKF	8213
-----	----------------------

CALCULATION DATA

Operating temperature min	-40 °C
Operating temperature max	100 °C
Permissible operating temperature, short periods max	120 °C
Pressure differential max	0,070 Mpa
Maximum shaft surface speed	10,000 m/s