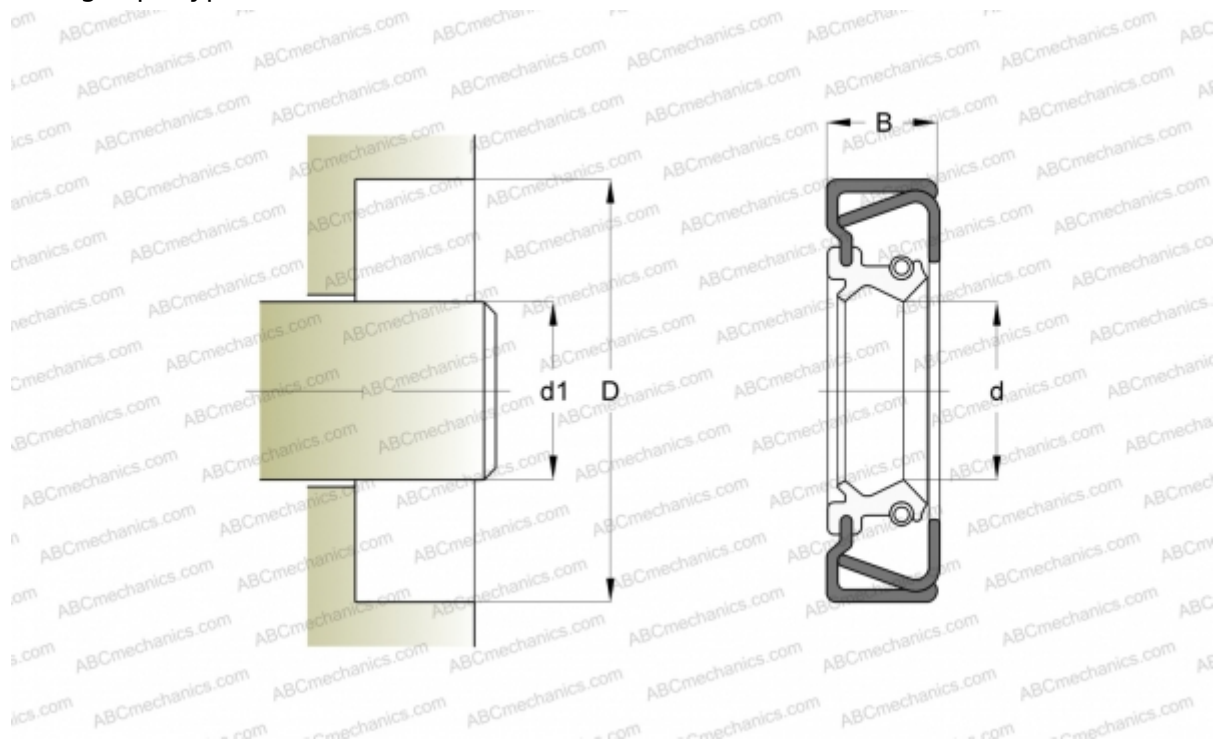


## CR 41751 CR

Radial shaft seals

TYPE: Radial shaft seals, Metal case and a secondary reinforcement in the side face, With spring-loaded sealing lip, Type CRSHA1, material NBR (SKF)



### Technical specification

#### DIMENSIONS, MM

d1	106,375
d	106,375
D	126,975
B	11,913

**MANUFACTURER** [CR](#)

#### INTERCHANGE

SKF	<a href="#">41751</a>
-----	-----------------------

#### CALCULATION DATA

Operating temperature min	-40 °C
Operating temperature max	100 °C
Permissible operating temperature, short periods max	120 °C
Pressure differential max	0,070 Mpa
Maximum shaft surface speed	10,000 m/s