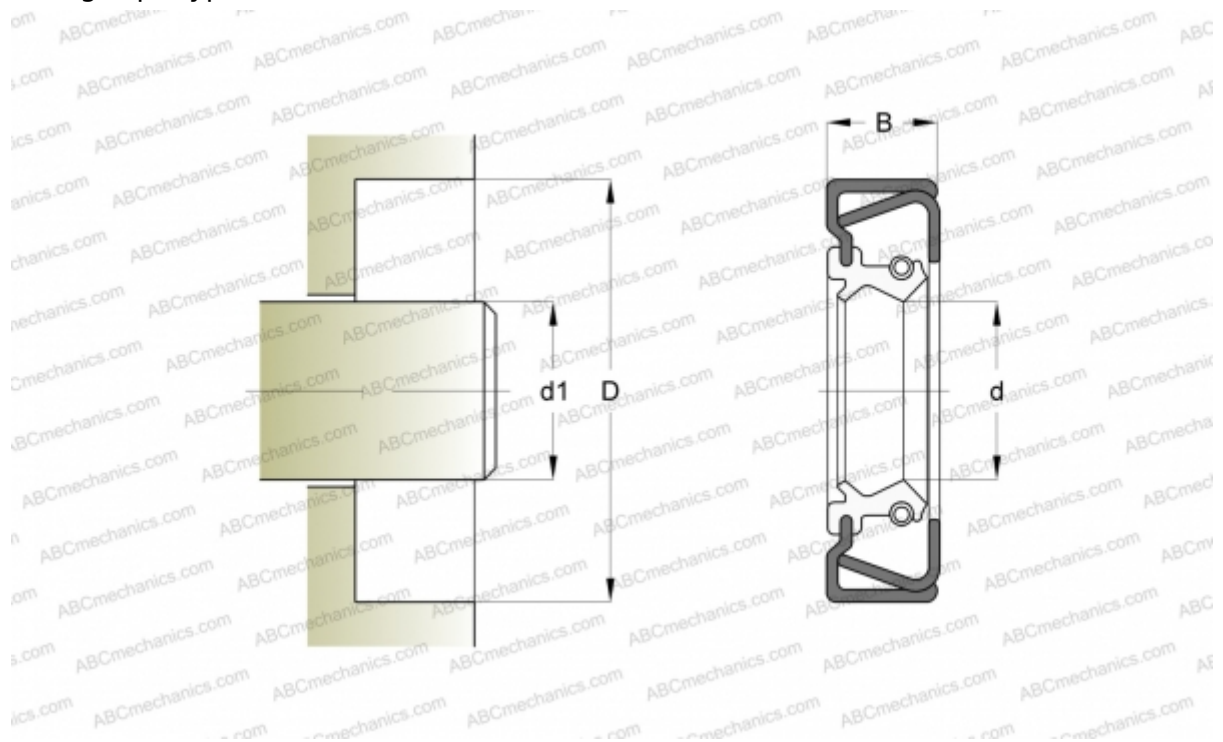


70034 SKF

Radial shaft seals

TYPE: Radial shaft seals, Metal case and a secondary reinforcement in the side face, With spring-loaded sealing slip, Type CRSHA1, material NBR (SKF)



Technical specification

DIMENSIONS, MM

| | |
|----|---------|
| d1 | 177,800 |
| d | 177,800 |
| D | 212,725 |
| B | 15,875 |

MANUFACTURER [SKF](#)

INTERCHANGE

CR [CR 70034](#)

CALCULATION DATA

| | |
|--|------------|
| Operating temperature min | -40 °C |
| Operating temperature max | 100 °C |
| Permissible operating temperature, short periods max | 120 °C |
| Pressure differential max | 0,070 Mpa |
| Maximum shaft surface speed | 10,000 m/s |