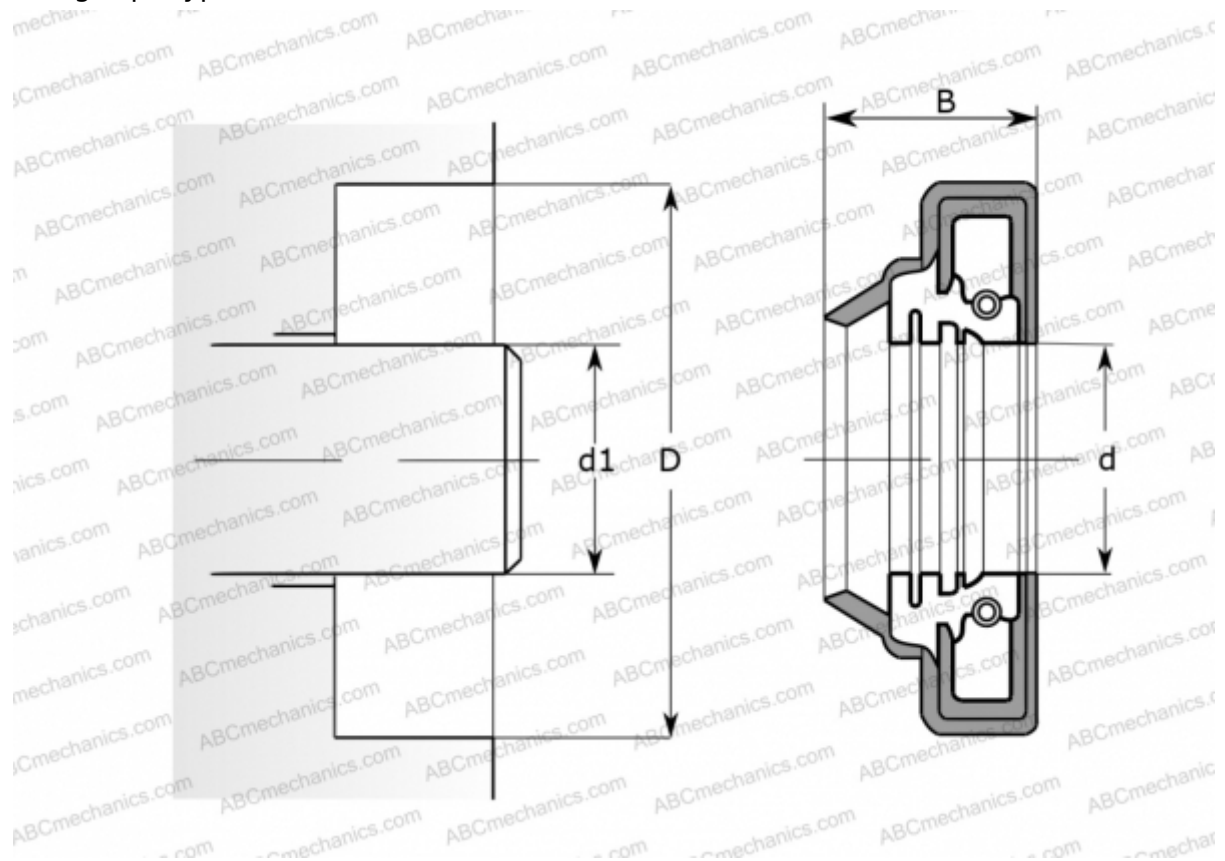


13916 SKF

Radial shaft seals

TYPE: Radial shaft seals, Metal case and a secondary reinforcement in the side face, With spring-loaded sealing lip, Type TL8, material NBR (SKF)



Technical specification

DIMENSIONS, MM

d1	34,925
d	34,925
D	72,009
B	15,088

MANUFACTURER

[SKF](#)

INTERCHANGE

CR	CR 13916
----	--------------------------

CALCULATION DATA

Operating temperature min	-40 °C
Operating temperature max	100 °C
Permissible operating temperature, short periods max	120 °C
Pressure differential max	0,070 Mpa
Maximum shaft surface speed	8,520 m/s