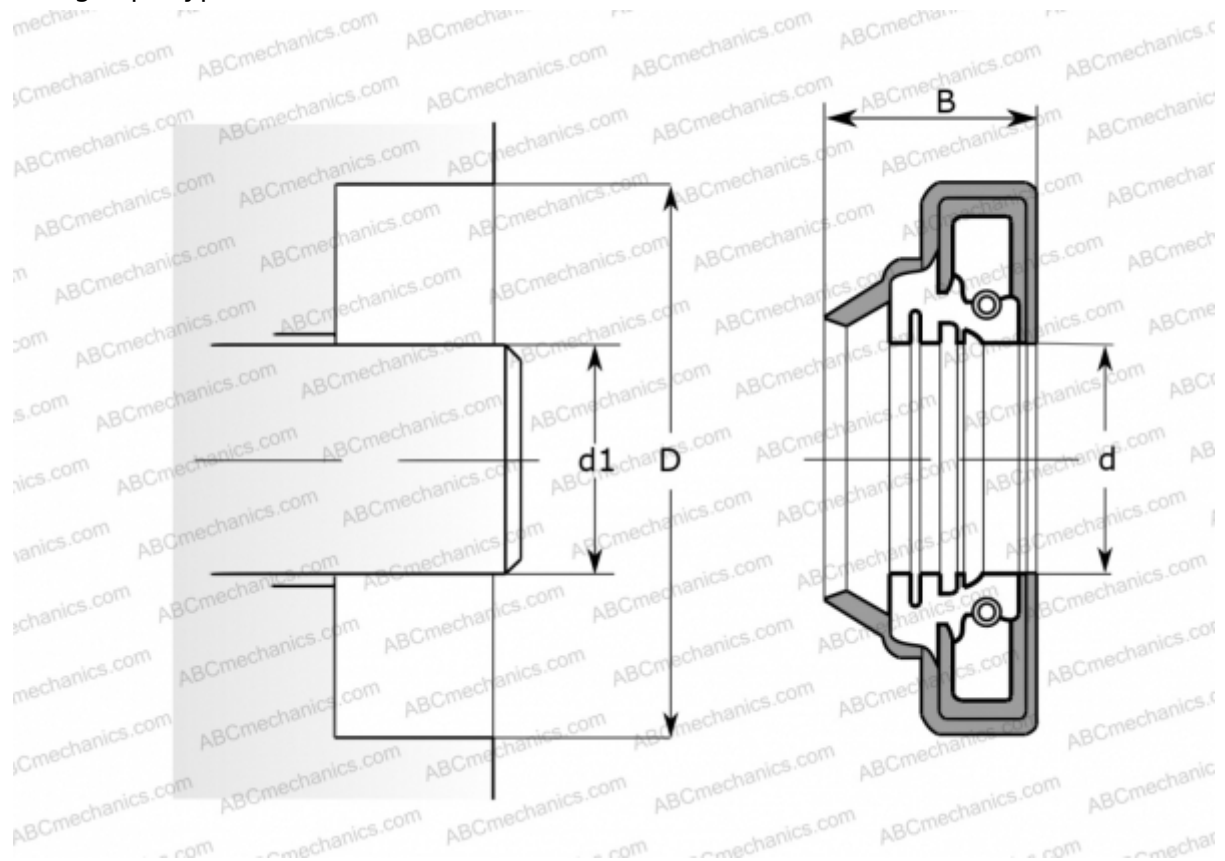


CR 19251 CR

Radial shaft seals

TYPE: Radial shaft seals, Metal case and a secondary reinforcement in the side face, With spring-loaded sealing slip, Type TL8, material NBR (SKF)



Technical specification

DIMENSIONS, MM

d1	49,225
d	49,225
D	68,224
B	15,088

MANUFACTURER

[CR](#)

INTERCHANGE

SKF	19251
-----	-----------------------

CALCULATION DATA

Operating temperature min	-40 °C
Operating temperature max	100 °C
Permissible operating temperature, short periods max	120 °C
Pressure differential max	0,070 Mpa
Maximum shaft surface speed	7,770 m/s