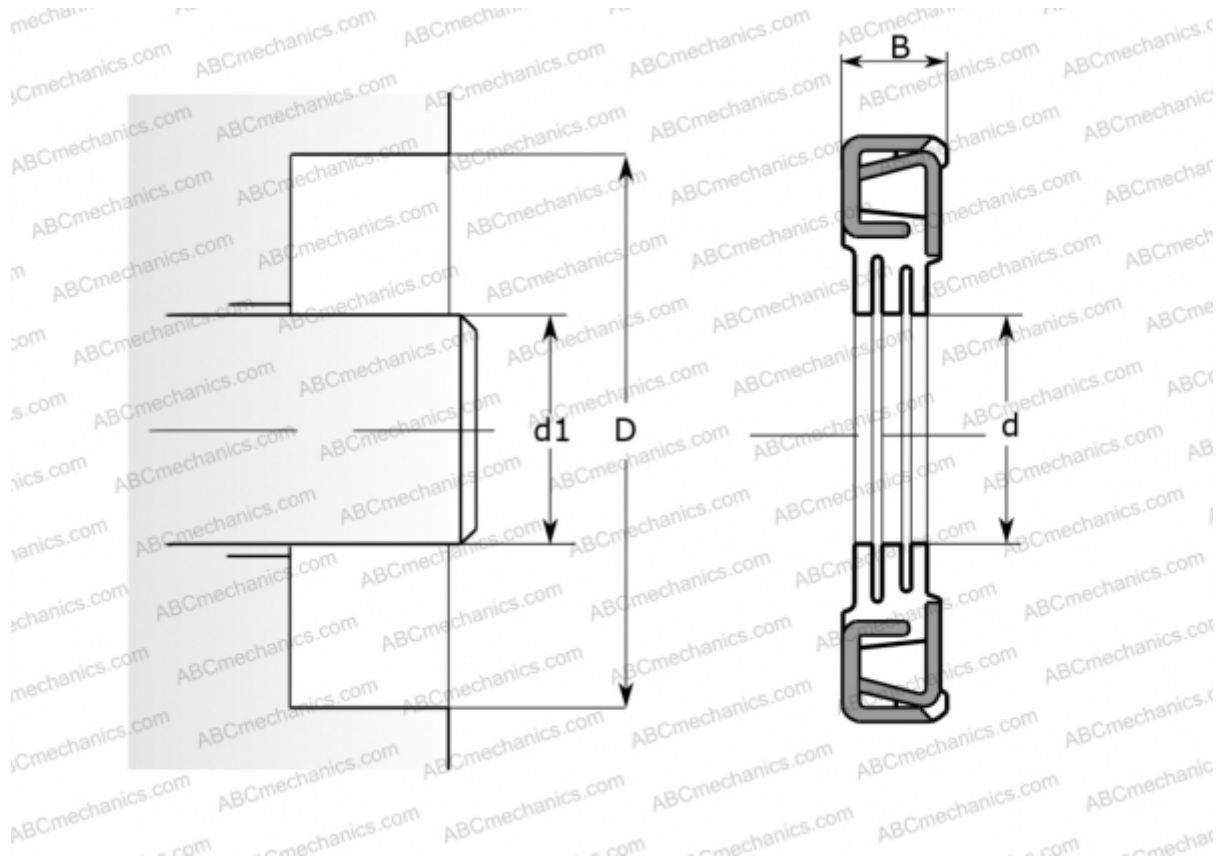


CR 20672 CR

Radial shaft seals

TYPE: Radial shaft seals, Metal case and a secondary reinforcement in the side face, Springless sealing lip, Type TL6, material X-NBR (SKF)



Technical specification

DIMENSIONS, MM

d1	52,400
d	52,400
D	79,985
B	12,700

MANUFACTURER [CR](#)

INTERCHANGE

SKF [20672](#)

CALCULATION DATA

Maximum shaft surface speed 0,001 m/s