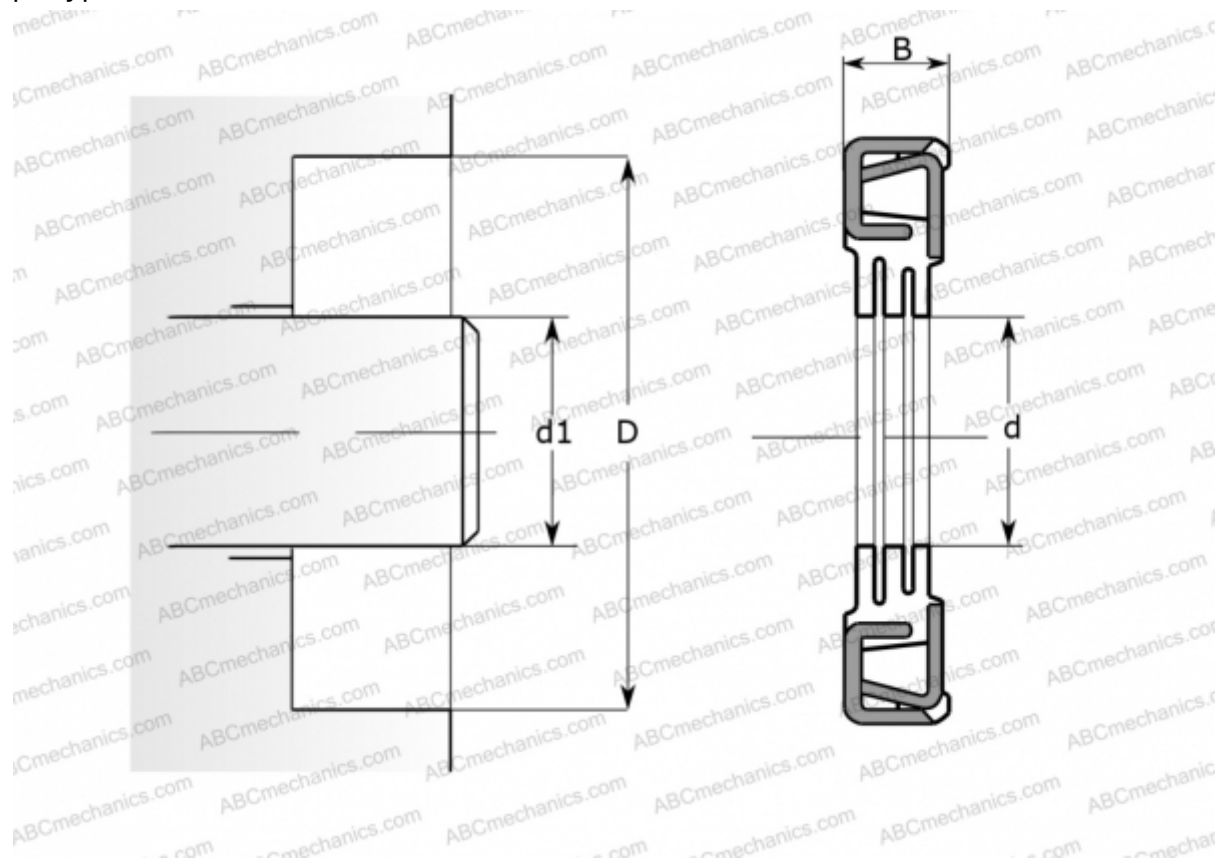


17724 SKF

Radial shaft seals

TYPE: Radial shaft seals, Metal case and a secondary reinforcement in the side face, Springless sealing lip, Type TL6, material NBR (SKF)



Technical specification

DIMENSIONS, MM

d1	44,450
d	44,450
D	79,985
B	7,366

MANUFACTURER [SKF](#)

INTERCHANGE

CR [CR 17724](#)

CALCULATION DATA

Operating temperature min	-40 °C
Operating temperature max	100 °C
Permissible operating temperature, short periods max	120 °C
Pressure differential max	0,070 Mpa
Maximum shaft surface speed	7,360 m/s