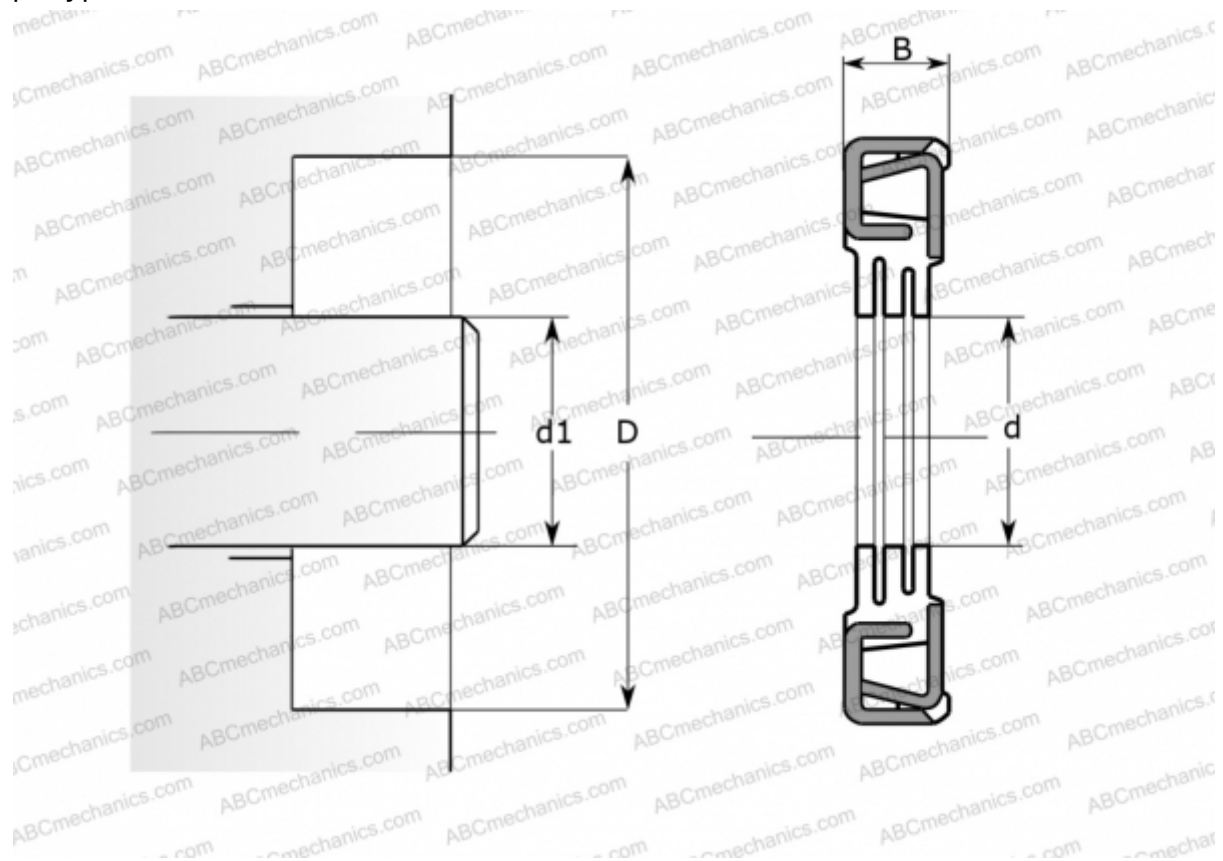


CR 19510 CR

Radial shaft seals

TYPE: Radial shaft seals, Metal case and a secondary reinforcement in the side face, Springless sealing lip, Type TL6, material NBR (SKF)



Technical specification

DIMENSIONS, MM

d1	49,403
d	49,403
D	73,457
B	7,468

MANUFACTURER [CR](#)

INTERCHANGE

SKF [19510](#)

CALCULATION DATA

Operating temperature min	-40 °C
Operating temperature max	100 °C
Permissible operating temperature, short periods max	120 °C
Pressure differential max	0,070 Mpa
Maximum shaft surface speed	7,790 m/s