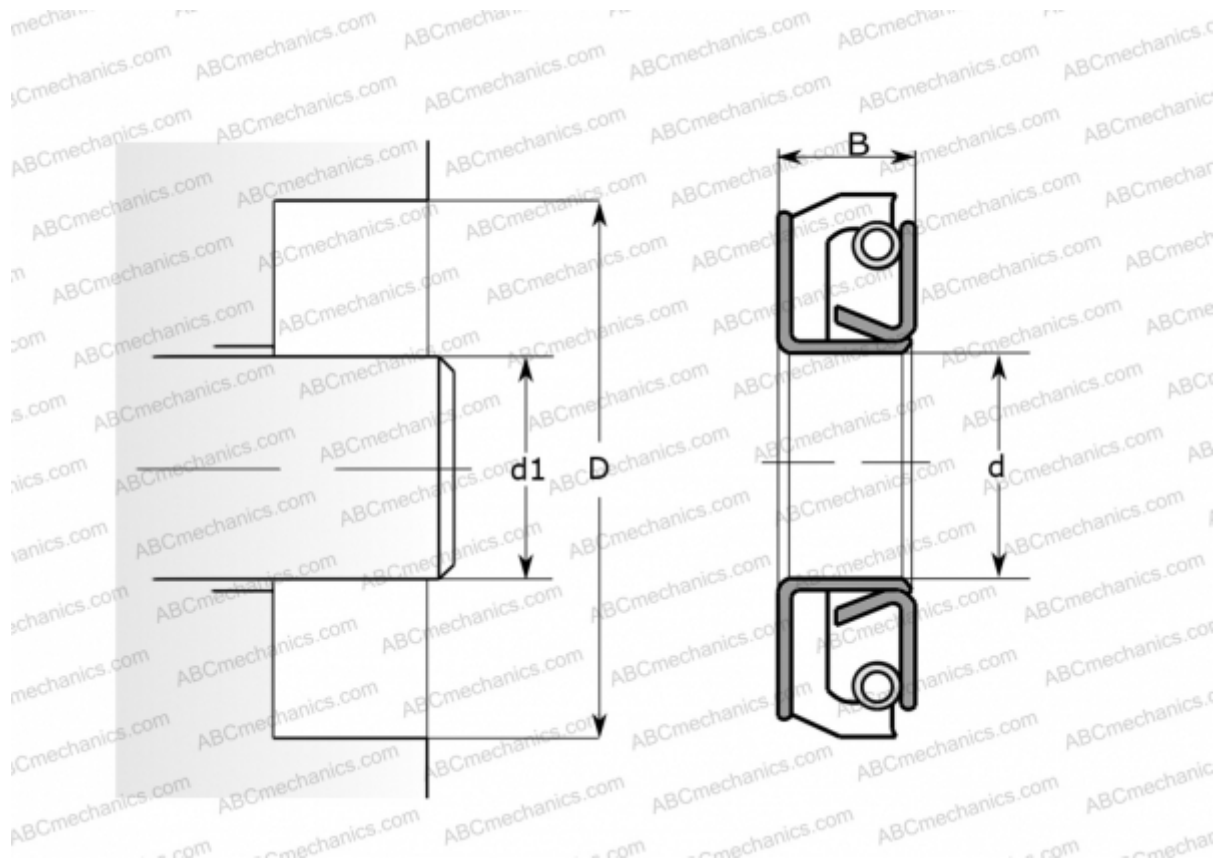


## CR 14896 CR

Radial shaft seals

TYPE: Radial shaft seals, With a rubber outside diameter, With spring-loaded sealing lip, Type X1, material Leather (SKF)



### Technical specification

#### DIMENSIONS, MM

$d_1$	38,100
$d$	38,100
$D$	55,550
$B$	12,700

**MANUFACTURER** [CR](#)

#### INTERCHANGE

SKF [14896](#)

#### CALCULATION DATA

Operating temperature min	-80 °C
Operating temperature max	80 °C
Pressure differential max	0,020 Mpa
Maximum shaft surface speed	2,540 m/s