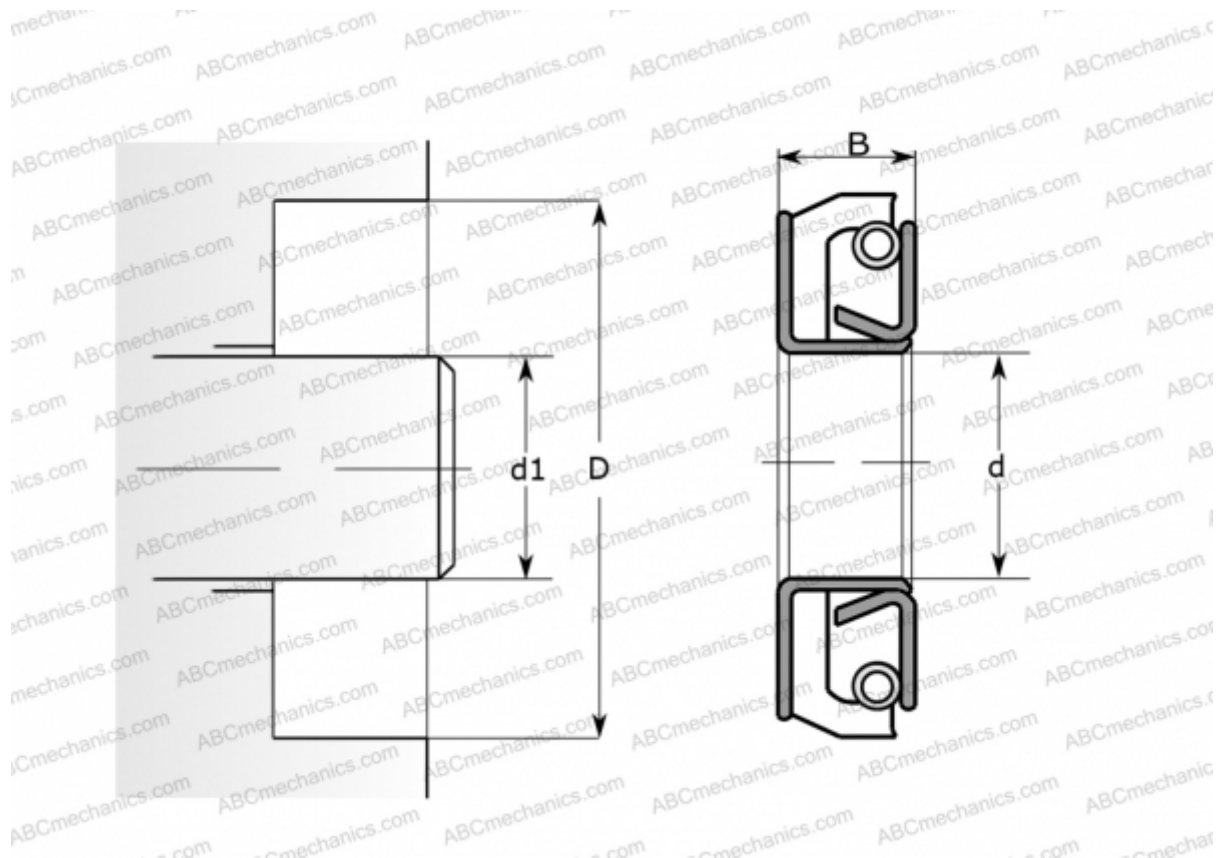


44269 SKF

Radial shaft seals

TYPE: Radial shaft seals, With a rubber outside diameter, With spring-loaded sealing lip, Type X1, material ACM (SKF)



Technical specification

DIMENSIONS, MM

d1	111,130
d	111,130
D	136,470
B	14,480

MANUFACTURER [SKF](#)

INTERCHANGE

CR [CR 44269](#)

CALCULATION DATA

Operating temperature min	-40 °C
Operating temperature max	150 °C
Pressure differential max	0,020 Mpa
Maximum shaft surface speed	2,540 m/s