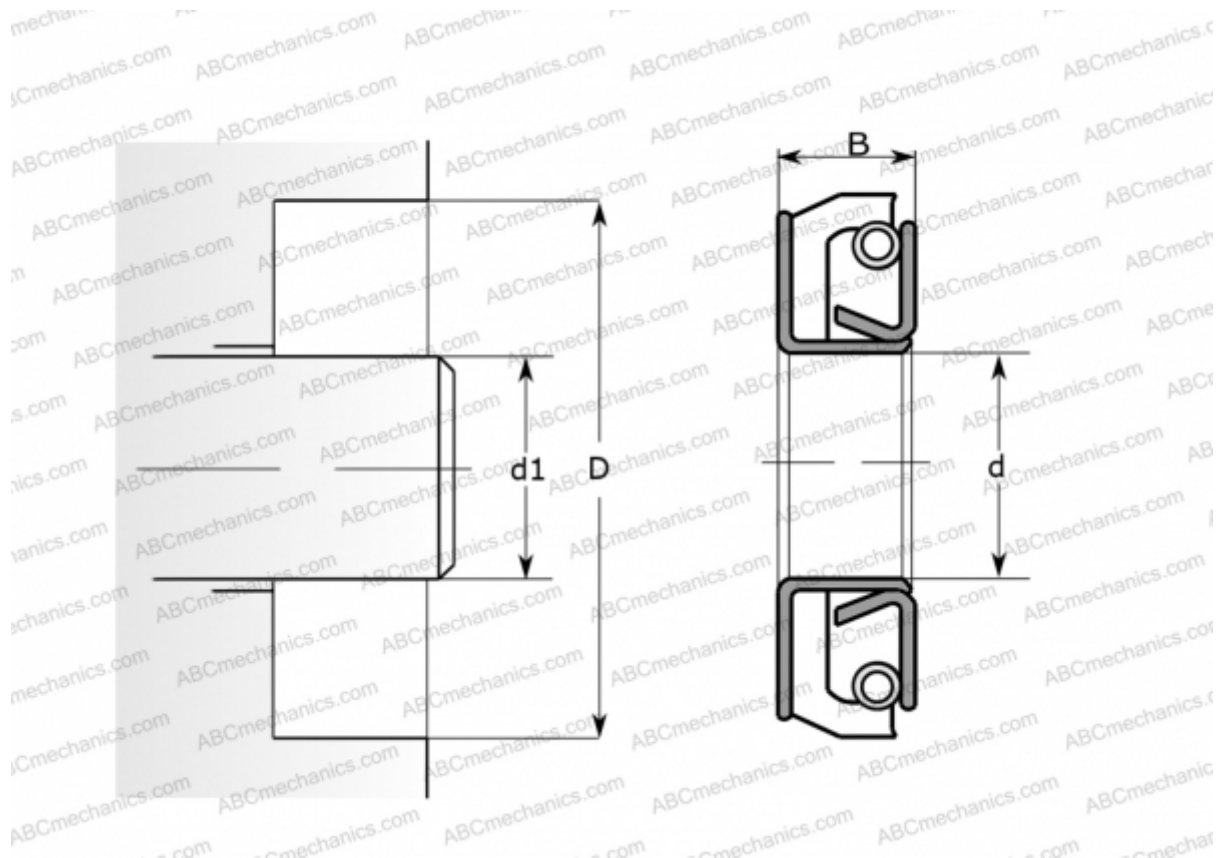


CR 44269 CR

Radial shaft seals

TYPE: Radial shaft seals, With a rubber outside diameter, With spring-loaded sealing lip, Type X1, material ACM (SKF)



Technical specification

DIMENSIONS, MM

d_1	111,130
d	111,130
D	136,470
B	14,480

MANUFACTURER [CR](#)

INTERCHANGE

SKF [44269](#)

CALCULATION DATA

Operating temperature min	-40 °C
Operating temperature max	150 °C
Pressure differential max	0,020 Mpa
Maximum shaft surface speed	2,540 m/s