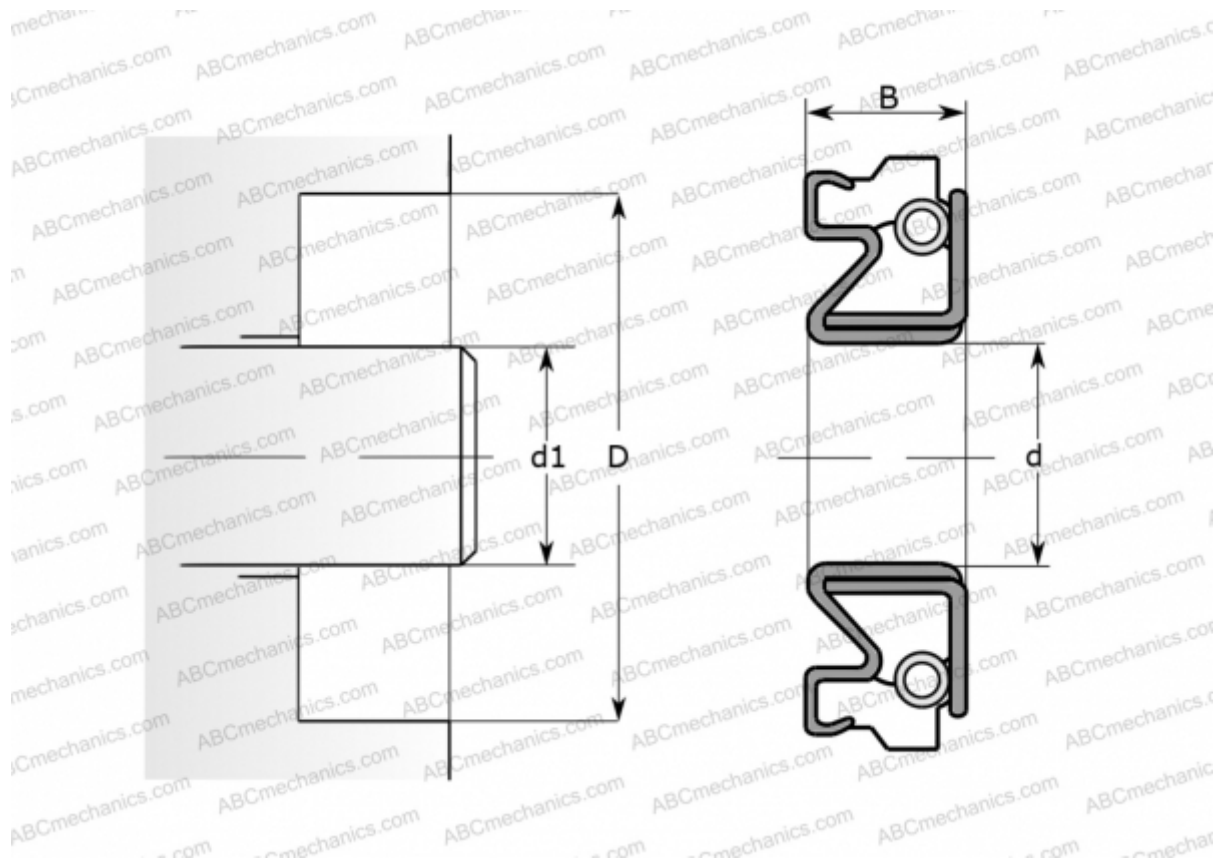


CR 29900 CR

Radial shaft seals

TYPE: Radial shaft seals, With a rubber outside diameter, With spring-loaded sealing lip, Type X2, material Leather (SKF)



Technical specification

DIMENSIONS, MM

d1	76,200
d	76,200
D	101,600
B	12,700

MANUFACTURER [CR](#)

INTERCHANGE

SKF [29900](#)

CALCULATION DATA

Operating temperature min	-80 °C
Operating temperature max	80 °C
Pressure differential max	0,020 Mpa
Maximum shaft surface speed	2,540 m/s