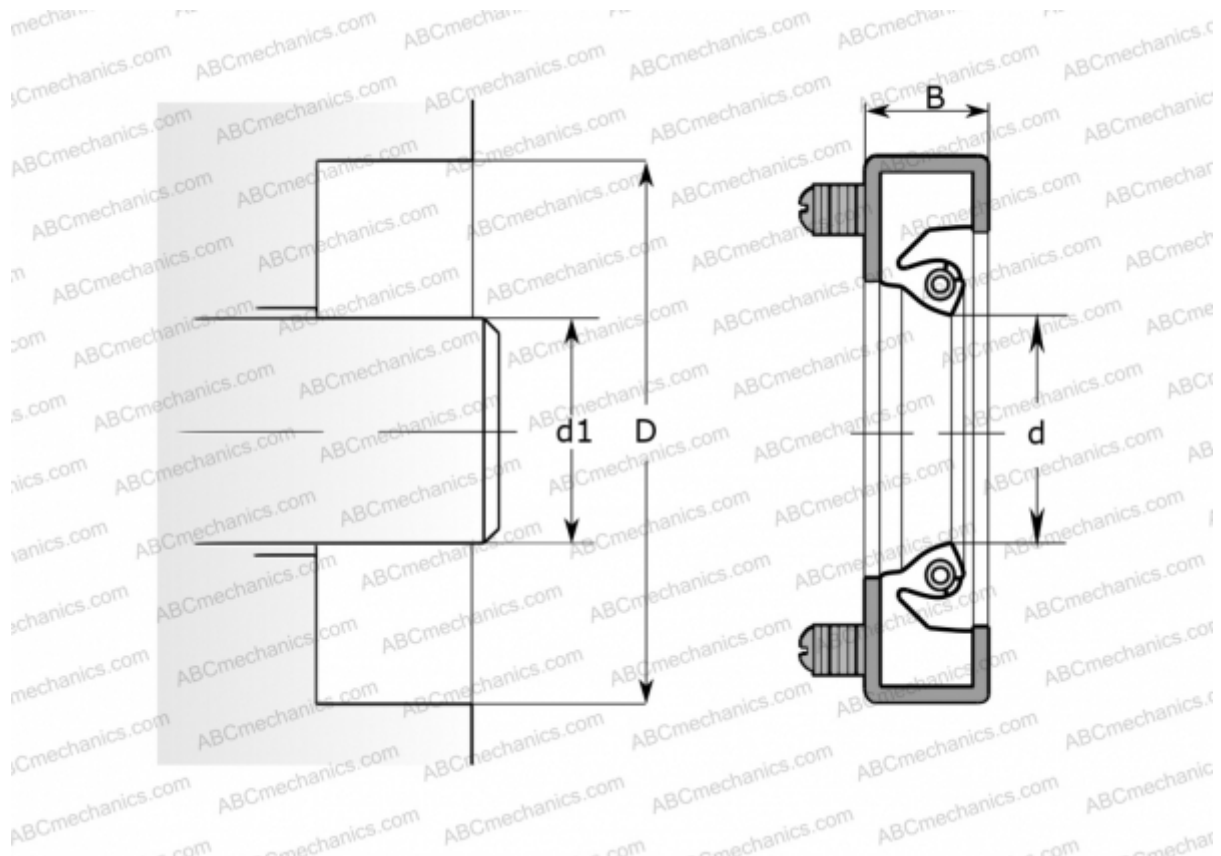


335x375x18 HDS3 D SKF

Radial shaft seals

TYPE: Seals for heavy industrial applications, Metal case, With spring-loaded sealing lip, Type HDS3, material X-NBR (SKF)



Technical specification

DIMENSIONS, MM

| | |
|----|---------|
| d1 | 335,000 |
| d | 335,000 |
| D | 375,000 |
| B | 18,000 |

MANUFACTURER

[SKF](#)

CALCULATION DATA

| | |
|--|------------|
| Operating temperature min | -55 °C |
| Operating temperature max | 105 °C |
| Permissible operating temperature, short periods max | 125 °C |
| Pressure differential max | 0,100 Mpa |
| Maximum shaft surface speed | 25,000 m/s |