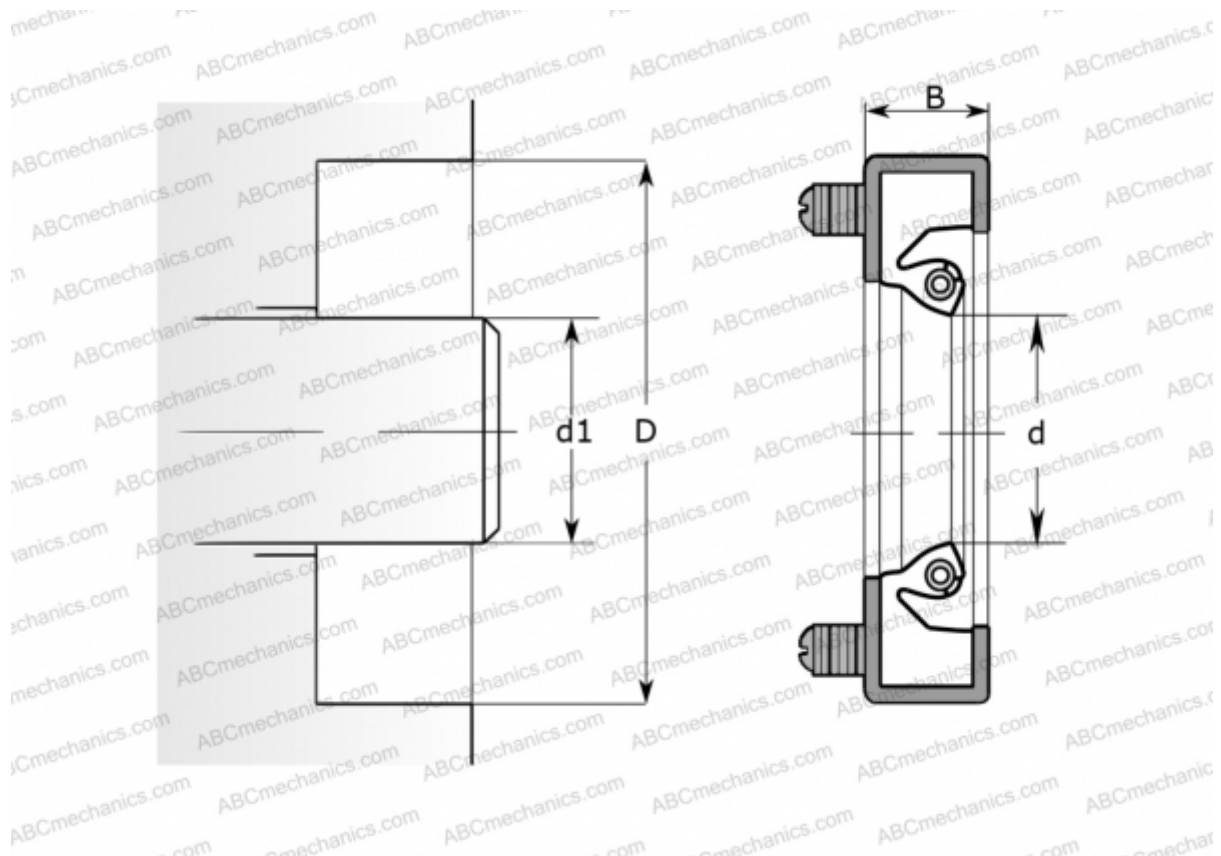


## 270x310x16 HDS3 V SKF

Radial shaft seals

TYPE: Seals for heavy industrial applications, Metal case, With spring-loaded sealing lip, Type HDS3, material FPM/FKM (SKF)



### Technical specification

#### DIMENSIONS, MM

$d_1$	270,000
$d$	270,000
$D$	310,000
$B$	16,000

#### MANUFACTURER

[SKF](#)

#### CALCULATION DATA

Operating temperature min	-40 °C
Operating temperature max	205 °C
Permissible operating temperature, short periods max	225 °C
Pressure differential max	0,100 Mpa
Maximum shaft surface speed	25,000 m/s