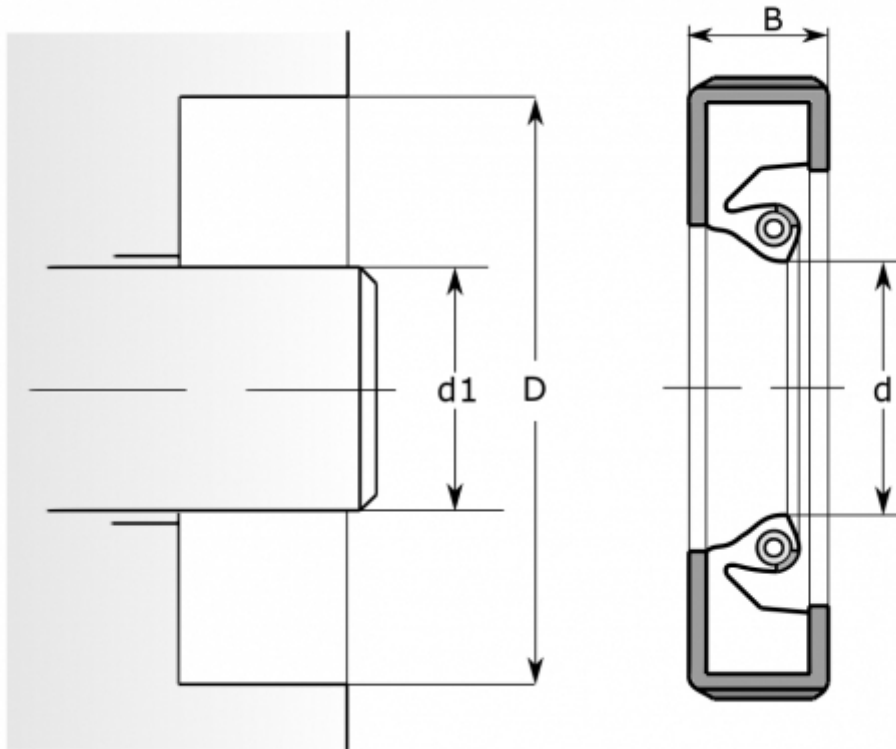


## 597606 SKF

Radial shaft seals

TYPE: Seals for heavy industrial applications, With a rubber outside diameter, With spring-loaded sealing slip, Type HDS1K, material H-NBR/NEM (SKF)



### Technical specification

#### DIMENSIONS, MM

d1	201,650
d	201,650
D	257,180
B	17,480

#### MANUFACTURER

[SKF](#)

#### CALCULATION DATA

Operating temperature min	-40 °C
Operating temperature max	150 °C
Permissible operating temperature, short periods max	170 °C
Pressure differential max	0,100 Mpa
Maximum shaft surface speed	25,000 m/s