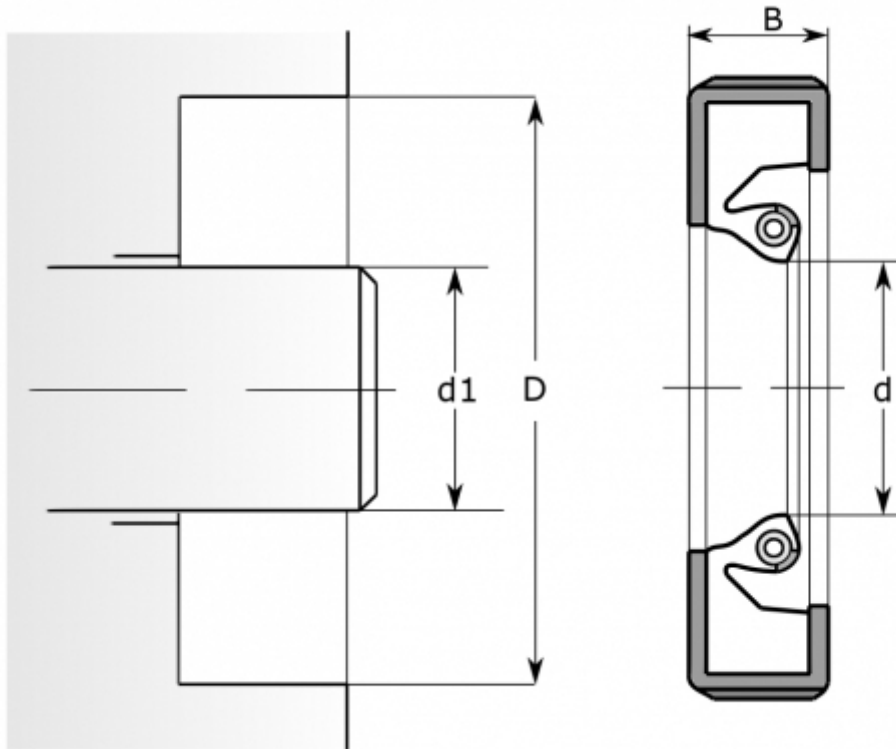


## 340x380x18 HDS2K V SKF

Radial shaft seals

TYPE: Seals for heavy industrial applications, With a rubber outside diameter, With spring-loaded sealing slip, Type HDS2K, material FPM/FKM (SKF)



### Technical specification

#### DIMENSIONS, MM

d1	340,000
d	340,000
D	380,000
B	18,000

#### MANUFACTURER

[SKF](#)

#### CALCULATION DATA

Operating temperature min	-40 °C
Operating temperature max	205 °C
Permissible operating temperature, short periods max	225 °C
Pressure differential max	0,100 Mpa
Maximum shaft surface speed	25,000 m/s