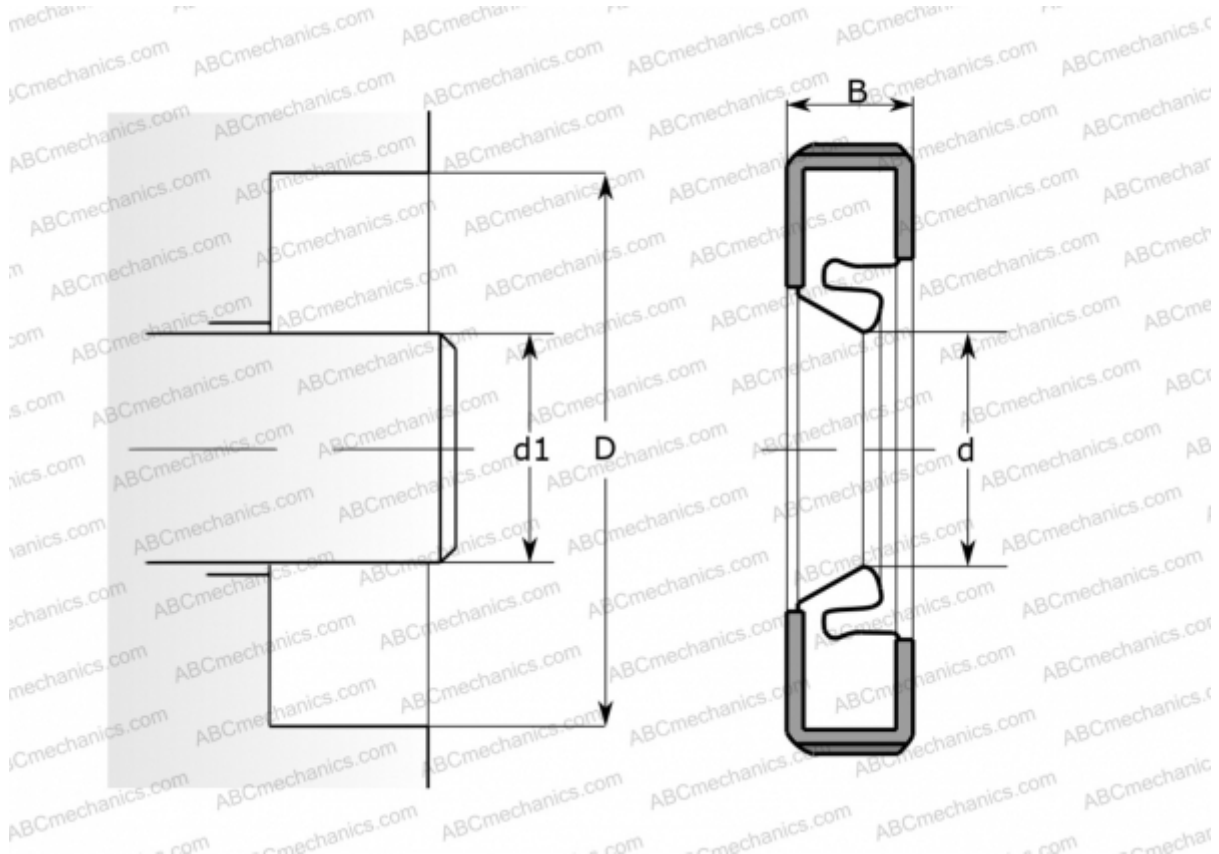


520x570x18 HDS7K H SKF

Radial shaft seals

TYPE: Seals for heavy industrial applications, With a rubber outside diameter, With spring-loaded sealing slip, Type HDS7K, material H-NBR/NEM (SKF)



Technical specification

DIMENSIONS, MM

d_1	520,000
d	520,000
D	570,000
B	18,000

MANUFACTURER

[SKF](#)

INTERCHANGE

CR [CR 520x570x18 HDS7K H](#)

CALCULATION DATA

Operating temperature min	-40 °C
Operating temperature max	150 °C
Permissible operating temperature, short periods max	170 °C
Pressure differential max	0,100 Mpa
Maximum shaft surface speed	25,000 m/s