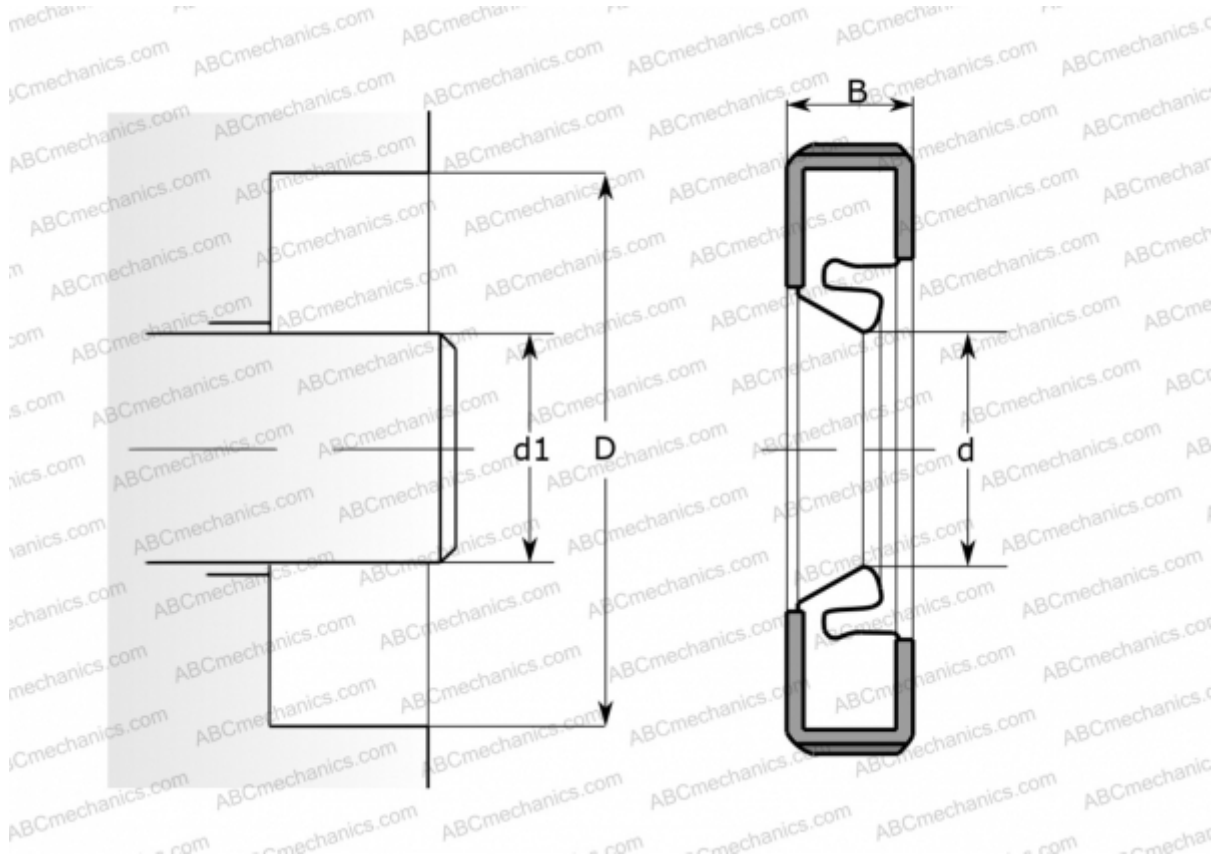


## 570x610x18 HDS7K H SKF

Radial shaft seals

TYPE: Seals for heavy industrial applications, With a rubber outside diameter, With spring-loaded sealing slip, Type HDS7K, material H-NBR/NEM (SKF)



### Technical specification

#### DIMENSIONS, MM

$d_1$	570,000
$d$	570,000
$D$	610,000
$B$	18,000

#### MANUFACTURER

[SKF](#)

#### INTERCHANGE

CR [CR 570x610x18 HDS7K H](#)

#### CALCULATION DATA

Operating temperature min	-40 °C
Operating temperature max	150 °C
Permissible operating temperature, short periods max	170 °C
Pressure differential max	0,100 Mpa
Maximum shaft surface speed	25,000 m/s