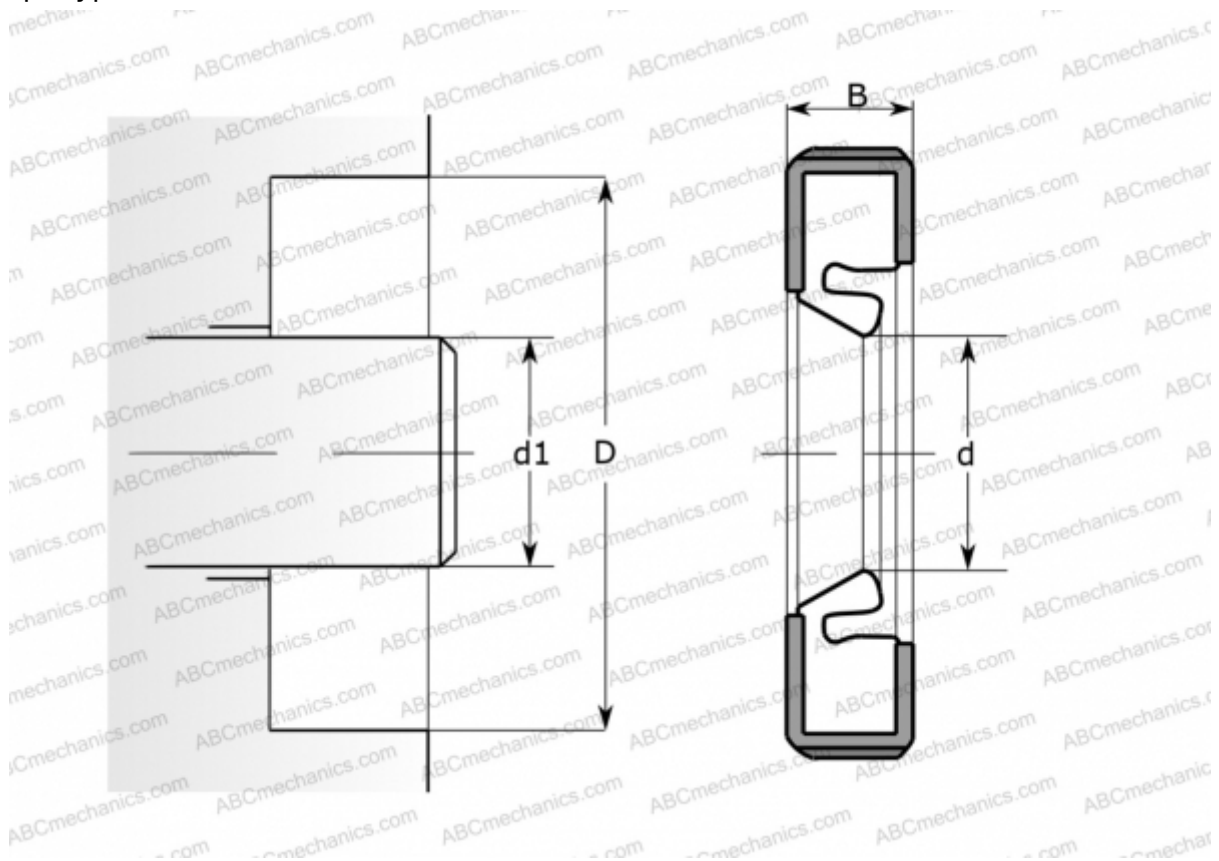


## CR 570x610x18 HDS7K H CR

Radial shaft seals

TYPE: Seals for heavy industrial applications, With a rubber outside diameter, With spring-loaded sealing slip, Type HDS7K, material H-NBR/NEM (SKF)



### Technical specification

#### DIMENSIONS, MM

$d_1$	570,000
$d$	570,000
$D$	610,000
$B$	18,000

**MANUFACTURER** [CR](#)

#### INTERCHANGE

SKF	<a href="#">570x610x18 HDS7K H</a>
CR	<a href="#">CR 570x610x18 HDS7K H</a>

#### CALCULATION DATA

Operating temperature min	-40 °C
Operating temperature max	150 °C
Permissible operating temperature, short periods max	170 °C
Pressure differential max	0,100 Mpa
Maximum shaft surface speed	25,000 m/s