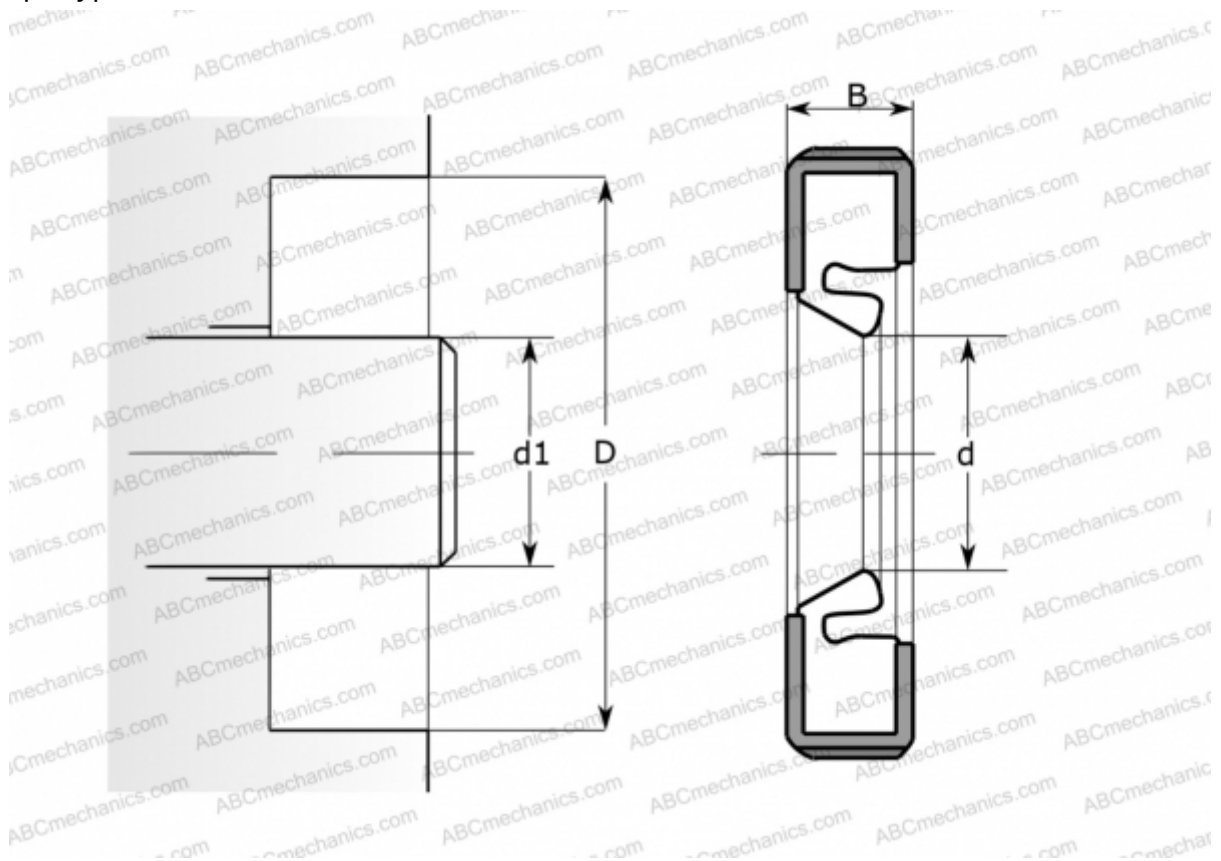


## CR 485x535x22 HDS7K R CR

Radial shaft seals

TYPE: Seals for heavy industrial applications, With a rubber outside diameter, With spring-loaded sealing slip, Type HDS7K, material NBR (SKF)



### Technical specification

#### DIMENSIONS, MM

$d_1$	485,000
$d$	485,000
$D$	535,000
$B$	22,000

#### MANUFACTURER

[CR](#)

#### INTERCHANGE

SKF	<a href="#">485x535x22 HDS7K R</a>
-----	------------------------------------

#### CALCULATION DATA

Operating temperature min	-40 °C
Operating temperature max	120 °C
Permissible operating temperature, short periods max	140 °C
Pressure differential max	0,100 Mpa
Maximum shaft surface speed	25,000 m/s