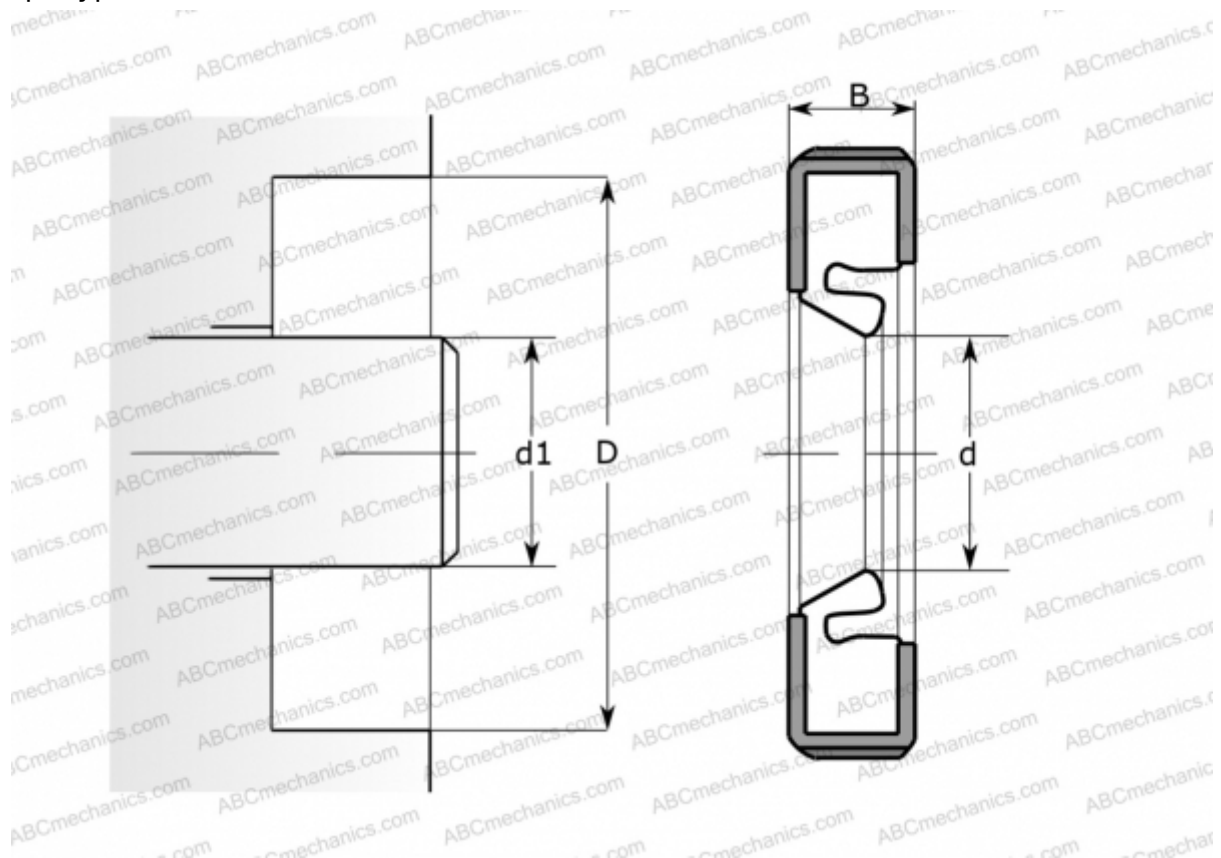


1575241 SKF

Radial shaft seals

TYPE: Seals for heavy industrial applications, With a rubber outside diameter, With spring-loaded sealing lip, Type HDS7K, material NBR (SKF)



Technical specification

DIMENSIONS, MM

d_1	400,050
d	400,050
D	438,150
B	17,480

MANUFACTURER [SKF](#)

INTERCHANGE

CR [CR 1575241](#)

CALCULATION DATA

Operating temperature min	-40 °C
Operating temperature max	120 °C
Permissible operating temperature, short periods max	140 °C
Pressure differential max	0,100 Mpa
Maximum shaft surface speed	25,000 m/s