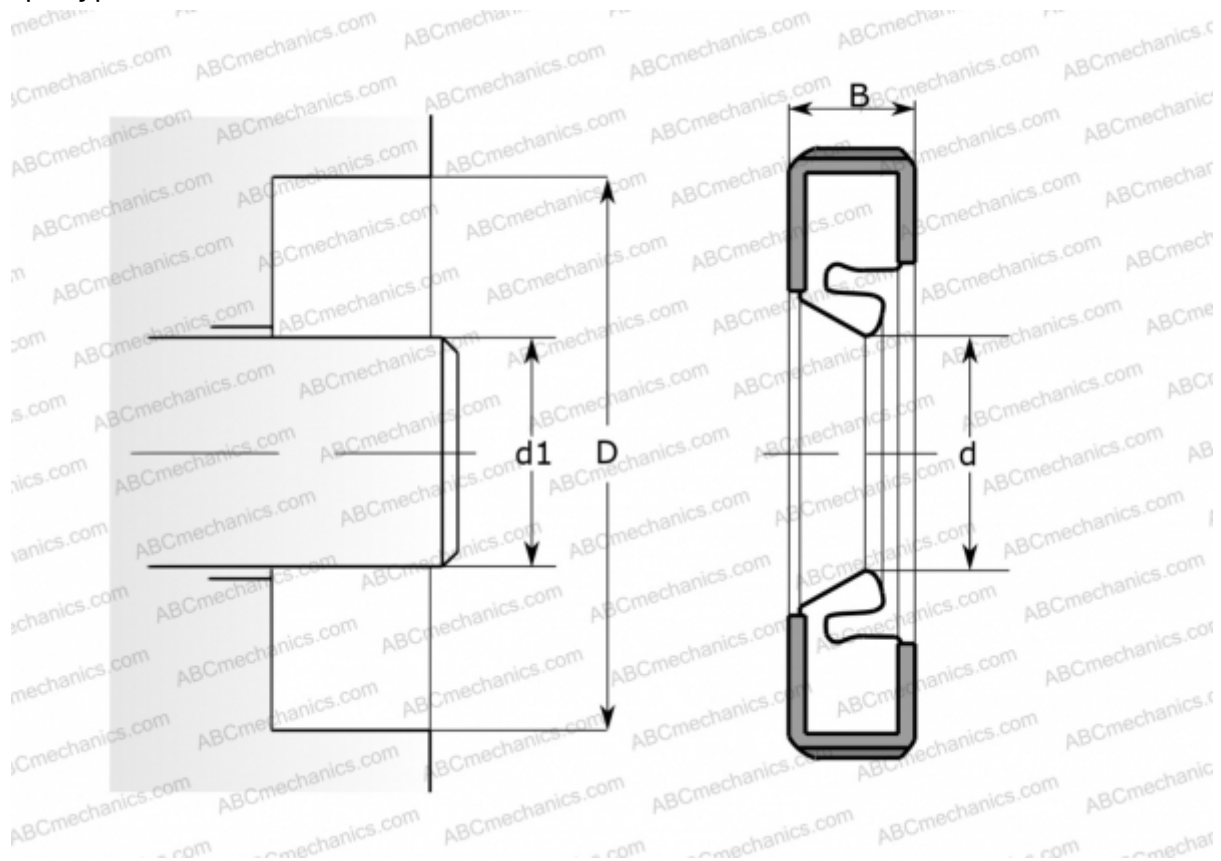


1600562 SKF

Radial shaft seals

TYPE: Seals for heavy industrial applications, With a rubber outside diameter, With spring-loaded sealing lip, Type HDS7K, material NBR (SKF)



Technical specification

DIMENSIONS, MM

d1	406,400
d	406,400
D	457,200
B	20,500

MANUFACTURER

[SKF](#)

INTERCHANGE

CR	CR 1600562
----	----------------------------

CALCULATION DATA

Operating temperature min	-40 °C
Operating temperature max	120 °C
Permissible operating temperature, short periods max	140 °C
Pressure differential max	0,100 Mpa
Maximum shaft surface speed	25,000 m/s