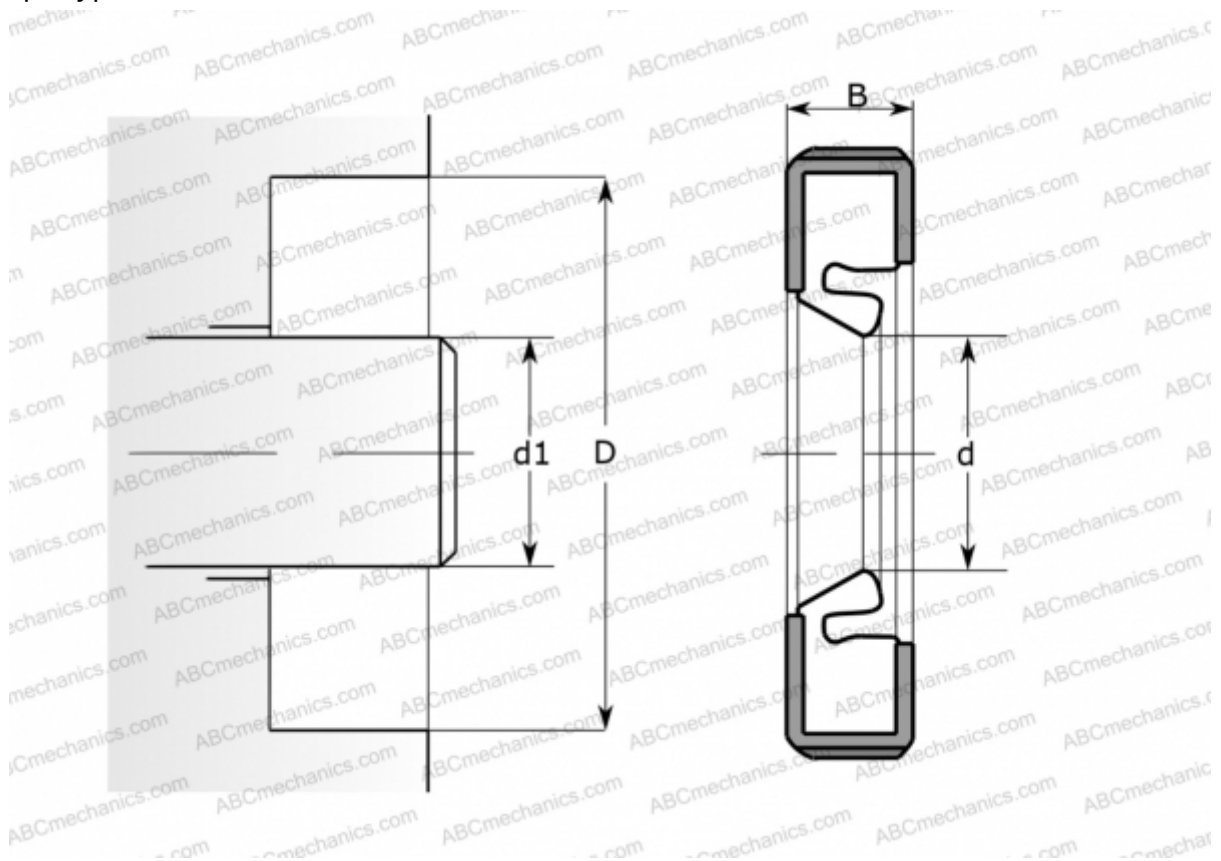


## CR 1650248 CR

Radial shaft seals

TYPE: Seals for heavy industrial applications, With a rubber outside diameter, With spring-loaded sealing slip, Type HDS7K, material NBR (SKF)



### Technical specification

#### DIMENSIONS, MM

d1	419,100
d	419,100
D	457,200
B	19,050

**MANUFACTURER** [CR](#)

#### INTERCHANGE

SKF [1650248](#)

#### CALCULATION DATA

Operating temperature min	-40 °C
Operating temperature max	120 °C
Permissible operating temperature, short periods max	140 °C
Pressure differential max	0,100 Mpa
Maximum shaft surface speed	25,000 m/s