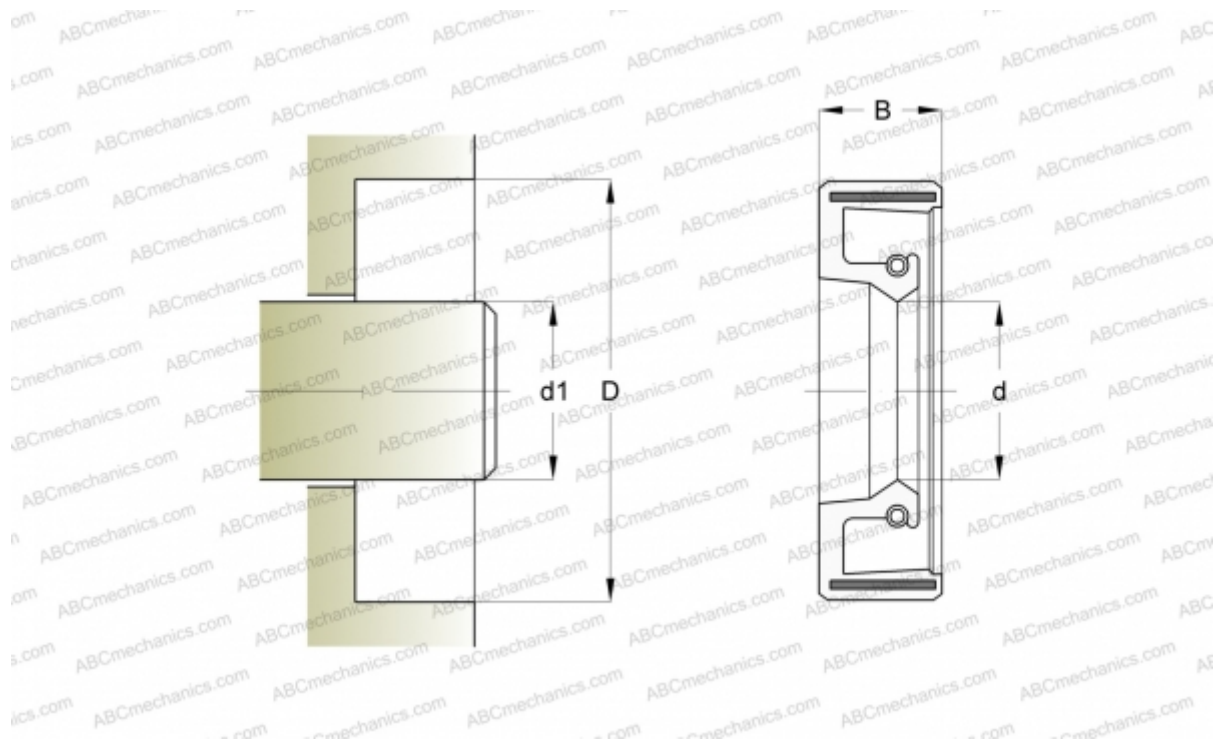


## SBF 7083 R SKF

Radial shaft seals

TYPE: Seals for heavy industrial applications, Metal-inserted seals, With spring-loaded sealing lip, Type SBF, material NBR (SKF)



### Technical specification

#### DIMENSIONS, MM

$d_1$	520,700
$d$	520,700
$D$	571,500
$B$	22,230

#### MANUFACTURER

[SKF](#)

#### CALCULATION DATA

Operating temperature min	-40 °C
Operating temperature max	121 °C
Pressure differential max	0,100 Mpa
Maximum shaft surface speed	25,000 m/s