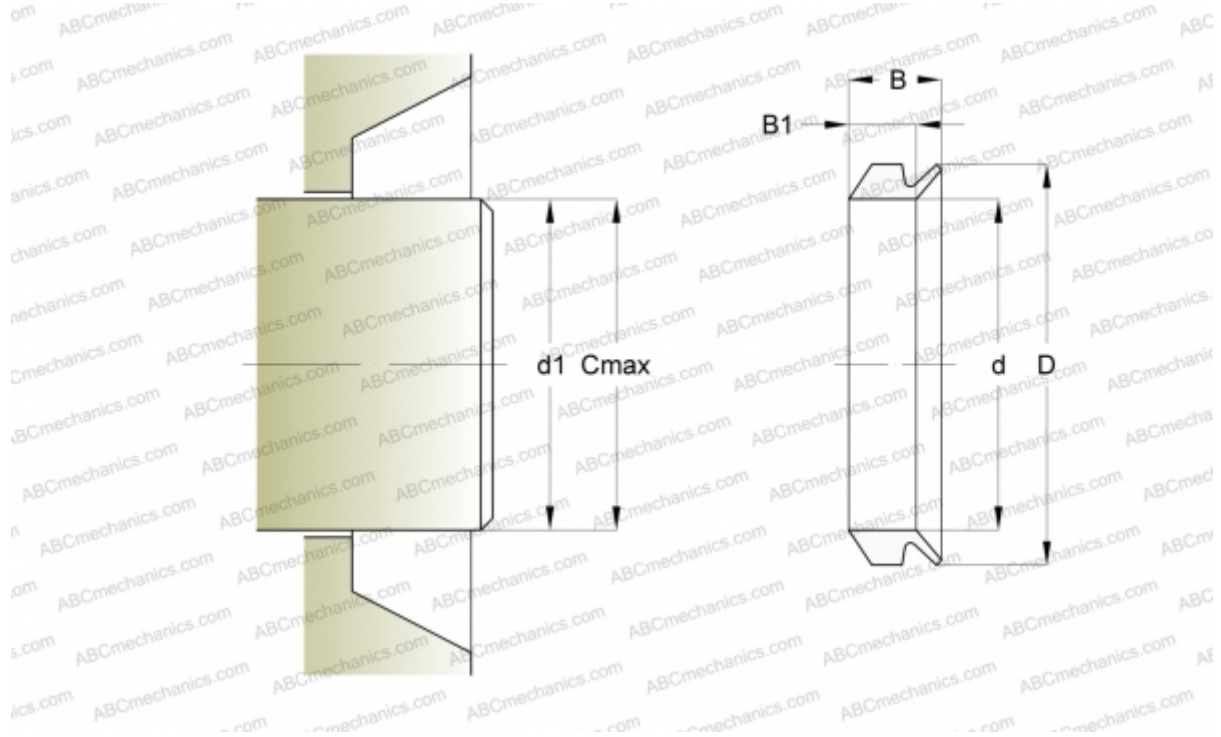


## 38 VS R SKF

Axial shaft seals

TYPE: Axial shaft seals, V-ring seals, All-rubber seals, Type VS/VR2, material NBR (SKF)



### Technical specification

#### DIMENSIONS, MM

|    |        |
|----|--------|
| d1 | 36,000 |
| d  | 34,000 |
| D  | 42,000 |
| B  | 10,500 |
| B1 | 7,900  |
| C  | 38,000 |

#### MANUFACTURER

[SKF](#)

#### CALCULATION DATA

|  |           |
|--|-----------|
| Operating temperature min                            | -40 °C    |
| Operating temperature max                            | 100 °C    |
| Permissible operating temperature, short periods max | 120 °C    |
| Maximum shaft surface speed                          | 0,001 m/s |