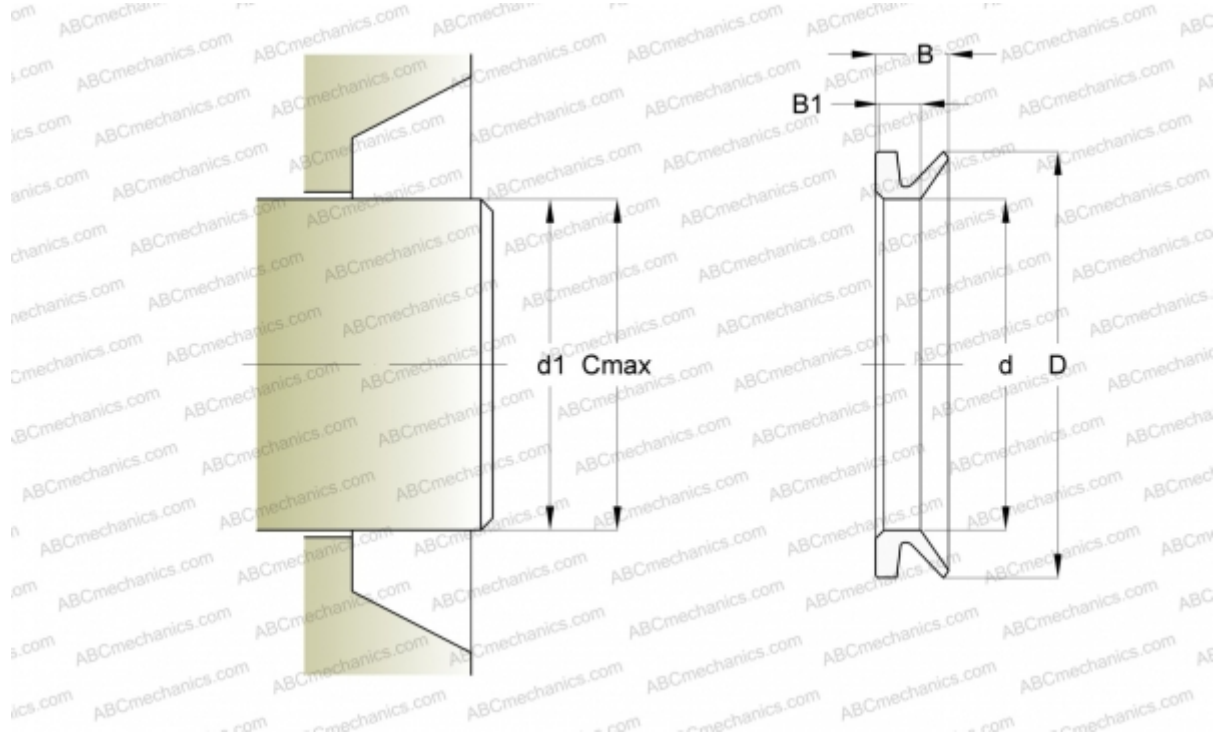


## 800 VL R SKF

Axial shaft seals

TYPE: Axial shaft seals, V-ring seals, All-rubber seals, Type VL/VR3, material NBR (SKF)



### Technical specification

#### DIMENSIONS, MM

d1	775,000
d	745,000
D	758,000
B	10,500
B1	6,000
C	825,000

#### MANUFACTURER

[SKF](#)

#### CALCULATION DATA

Operating temperature min	-40 °C
Operating temperature max	100 °C
Permissible operating temperature, short periods max	120 °C
Maximum shaft surface speed	0,001 m/s