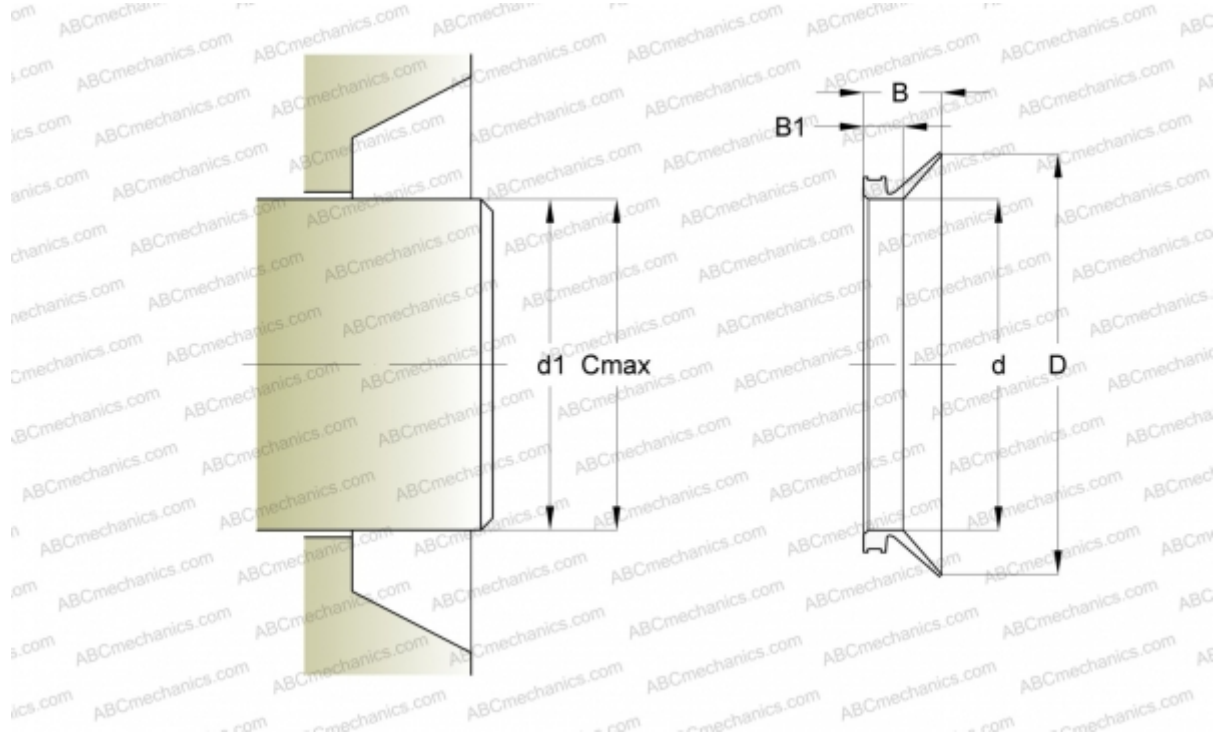


## 540 VRME R SKF

Axial shaft seals

TYPE: Axial shaft seals, V-ring seals, All-rubber seals, Type VRME/VR6, material NBR (SKF)



### Technical specification

#### DIMENSIONS, MM

|    |         |
|----|---------|
| d1 | 540,000 |
| d  | 526,000 |
| D  | 568,000 |
| B  | 65,000  |
| B1 | 32,500  |
| C  | 545,000 |

#### MANUFACTURER

[SKF](#)

#### CALCULATION DATA

|  |           |
|--|-----------|
| Operating temperature min                            | -40 °C    |
| Operating temperature max                            | 100 °C    |
| Permissible operating temperature, short periods max | 120 °C    |
| Maximum shaft surface speed                          | 0,001 m/s |