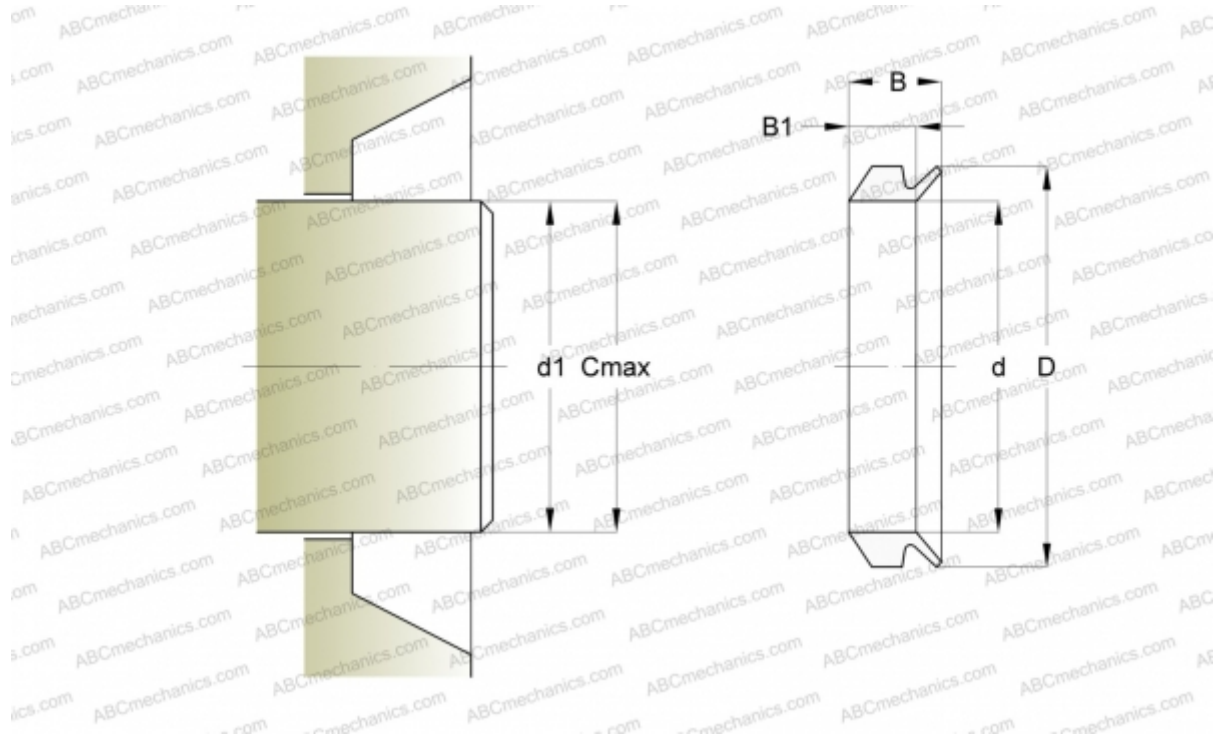


400285 SKF - USA

Axial shaft seals

TYPE: Axial shaft seals, V-ring seals, All-rubber seals, Type VR2, material FPM/FKM (SKF)



Technical specification

DIMENSIONS, MM

| | |
|-------|--------|
| d_1 | 27,000 |
| d | 25,000 |
| D | 33,000 |
| B | 10,500 |
| B_1 | 7,900 |
| C | 29,000 |

MANUFACTURER

[SKF - USA](#)

CALCULATION DATA

| | |
|--|-----------|
| Operating temperature min | -20 °C |
| Operating temperature max | 150 °C |
| Permissible operating temperature, short periods max | 170 °C |
| Maximum shaft surface speed | 0,001 m/s |