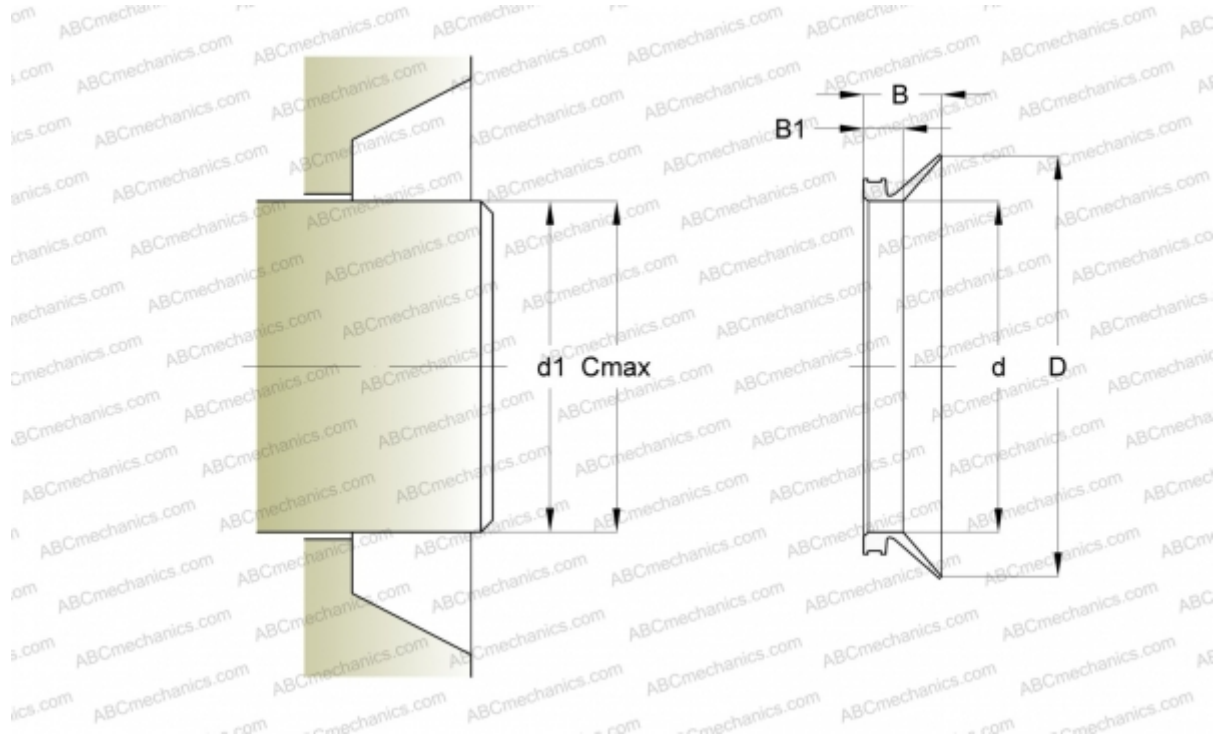


470416 SKF - USA

Axial shaft seals

TYPE: Axial shaft seals, V-ring seals, All-rubber seals, Type VR6, material NBR (SKF)



Technical specification

DIMENSIONS, MM

| | |
|----|---------|
| d1 | 415,000 |
| d | 405,000 |
| D | 447,000 |
| B | 65,000 |
| B1 | 32,500 |
| C | 420,000 |

MANUFACTURER

[SKF - USA](#)

CALCULATION DATA

| | |
|--|-----------|
| Operating temperature min | -40 °C |
| Operating temperature max | 100 °C |
| Permissible operating temperature, short periods max | 120 °C |
| Maximum shaft surface speed | 0,001 m/s |