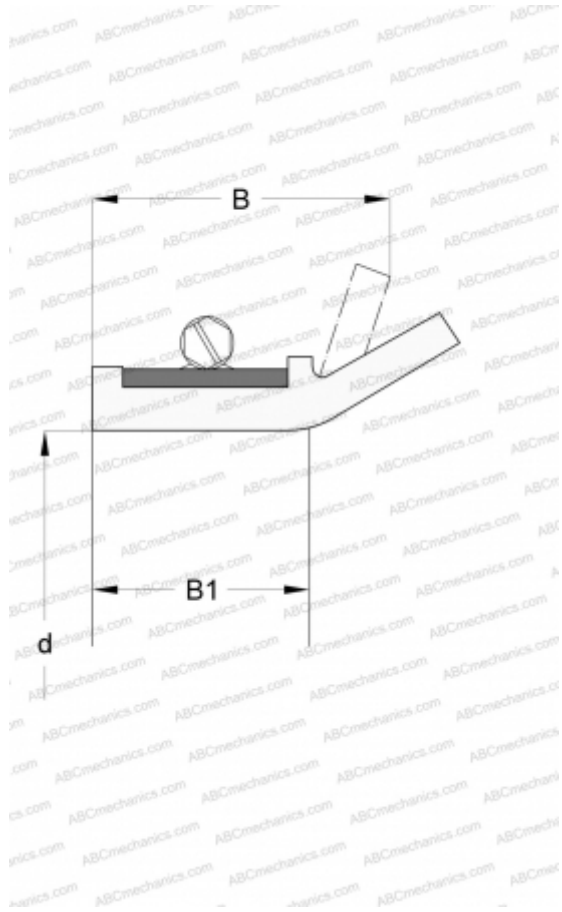


524599 SKF

Axial shaft seals

TYPE: Axial shaft seals, Axial clamp seals, Type CT1, material NBR (SKF)



Technical specification

DIMENSIONS, MM

| | |
|----|---------|
| d1 | 546,000 |
| d | 546,000 |
| B | 31,800 |
| B1 | 20,700 |

MANUFACTURER

[SKF](#)

CALCULATION DATA

| | |
|--|-----------|
| Operating temperature min | -50 °C |
| Operating temperature max | 100 °C |
| Permissible operating temperature, short periods max | 120 °C |
| Pressure differential max | 0,200 Mpa |
| Maximum shaft surface speed | 1,750 m/s |