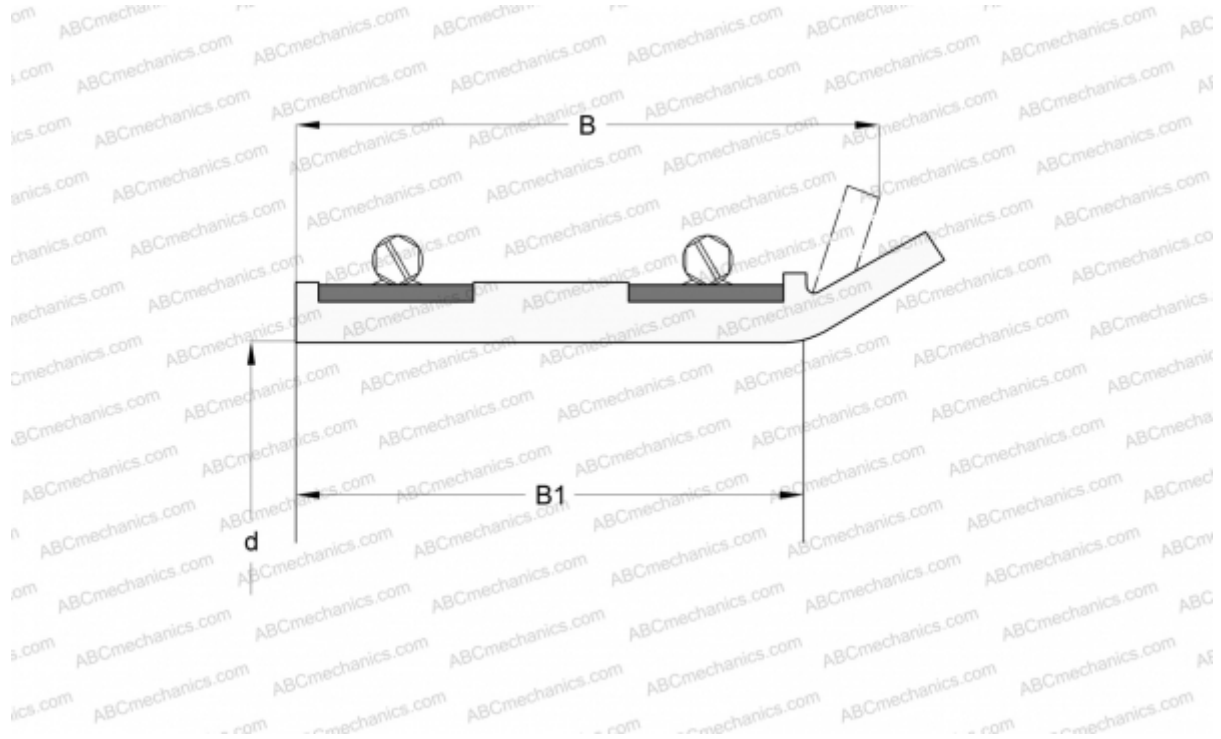


## 528272 SKF

Axial shaft seals

TYPE: Axial shaft seals, Axial clamp seals, Type CT4, material NBR (SKF)



### Technical specification

#### DIMENSIONS, MM

|    |          |
|----|----------|
| d1 | 1064,000 |
| d  | 1064,000 |
| B  | 41,300   |
| B1 | 30,200   |

**MANUFACTURER** [SKF](#)

#### CALCULATION DATA

|  |           |
|--|-----------|
| Operating temperature min                            | -50 °C    |
| Operating temperature max                            | 100 °C    |
| Permissible operating temperature, short periods max | 120 °C    |
| Pressure differential max                            | 0,200 Mpa |
| Maximum shaft surface speed                          | 1,750 m/s |