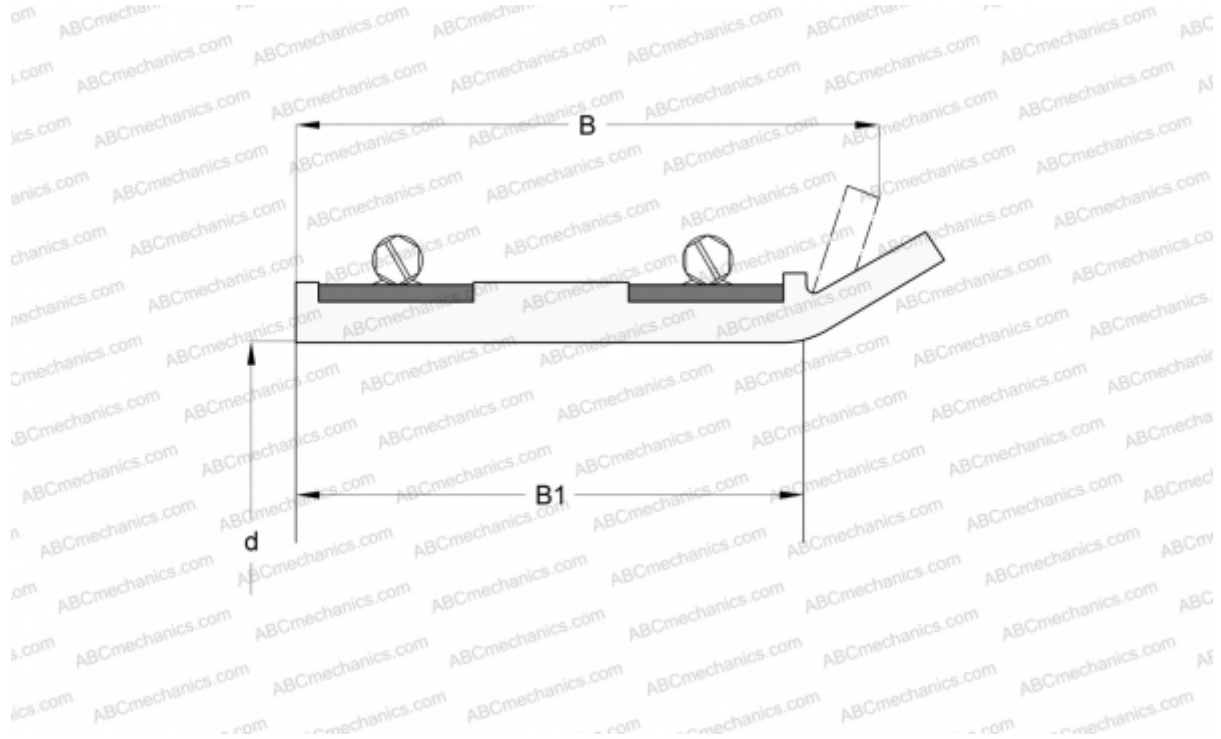


## 528002 SKF

Axial shaft seals

TYPE: Axial shaft seals, Axial clamp seals, Type CT4, material NBR (SKF)



### Technical specification

#### DIMENSIONS, MM

d1	1118,000
d	1118,000
B	44,500
B1	33,400

**MANUFACTURER** [SKF](#)

#### CALCULATION DATA

Operating temperature min	-50 °C
Operating temperature max	100 °C
Permissible operating temperature, short periods max	120 °C
Pressure differential max	0,200 Mpa
Maximum shaft surface speed	1,750 m/s