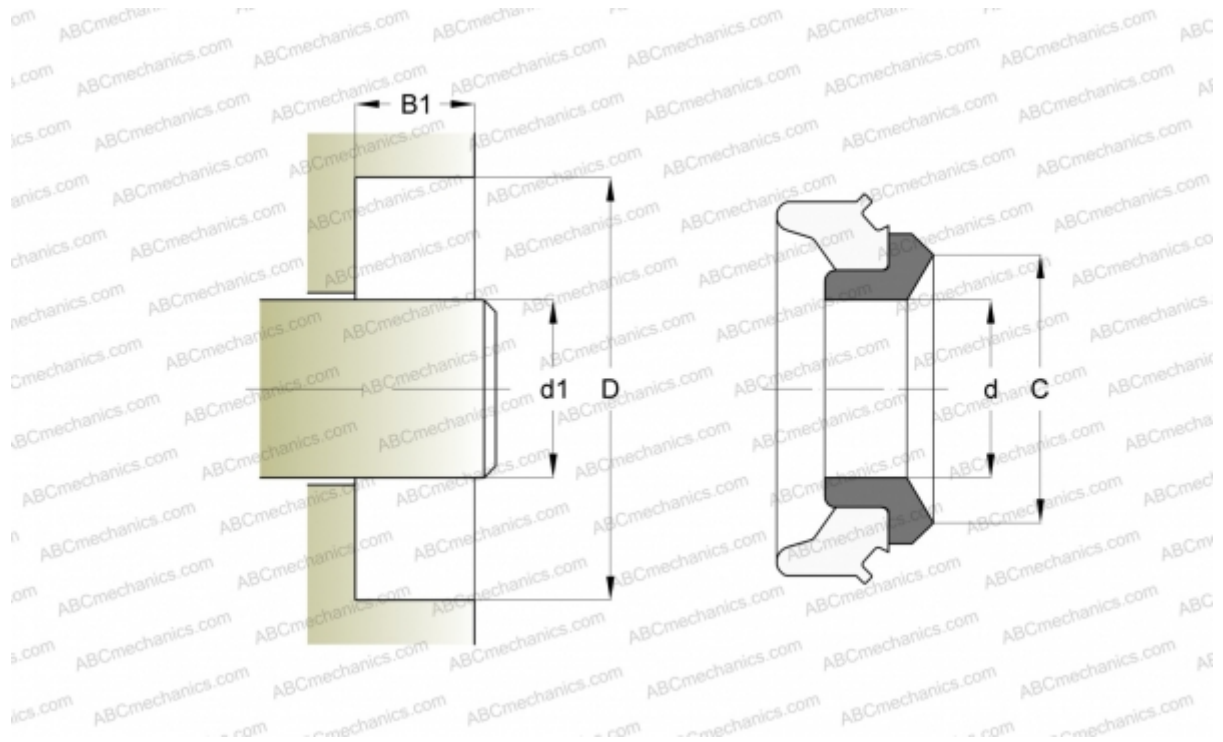


52.7x70.5x14.2 TP SKF

Axial shaft seals

TYPE: Axial shaft seals, Track pin seals, Type TP (SKF)



Technical specification

DIMENSIONS, MM

d1	52,600
D	70,790
B1	10,800
C	61,340

MANUFACTURER [SKF](#)

CALCULATION DATA

Maximum shaft surface speed	0,001 m/s
-----------------------------	-----------