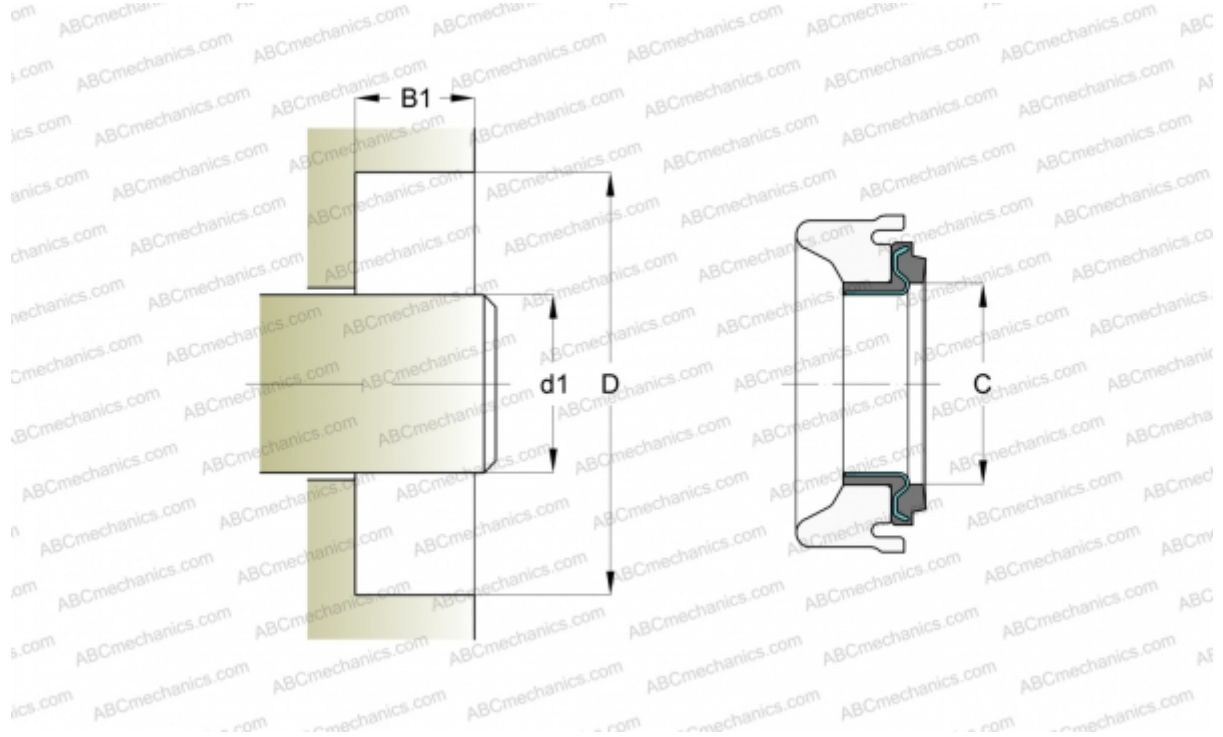


## 46.3x62.3x14.3 TPM SKF

Axial shaft seals

TYPE: Axial shaft seals, Track pin seals, Type TPM (SKF)



### Technical specification

#### DIMENSIONS, MM

d1	45,690
D	62,990
B1	10,690
C	54,710

**MANUFACTURER** [SKF](#)

#### CALCULATION DATA

Maximum shaft surface speed	0,001 m/s
-----------------------------	-----------