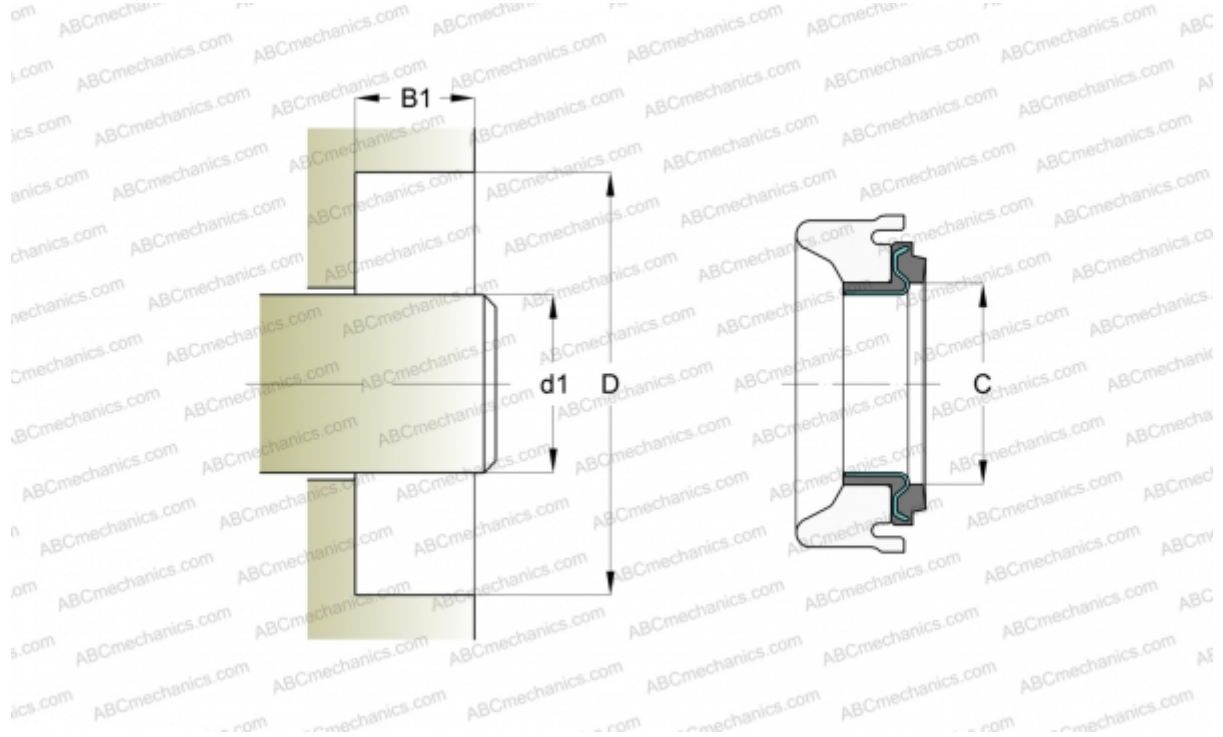


53.0x69.3x14.2 TPM SKF

Axial shaft seals

TYPE: Axial shaft seals, Track pin seals, Type TPM (SKF)



Technical specification

DIMENSIONS, MM

d1	52,430
D	70,100
B1	10,800
C	61,110

MANUFACTURER [SKF](#)

CALCULATION DATA

Maximum shaft surface speed	0,001 m/s
-----------------------------	-----------