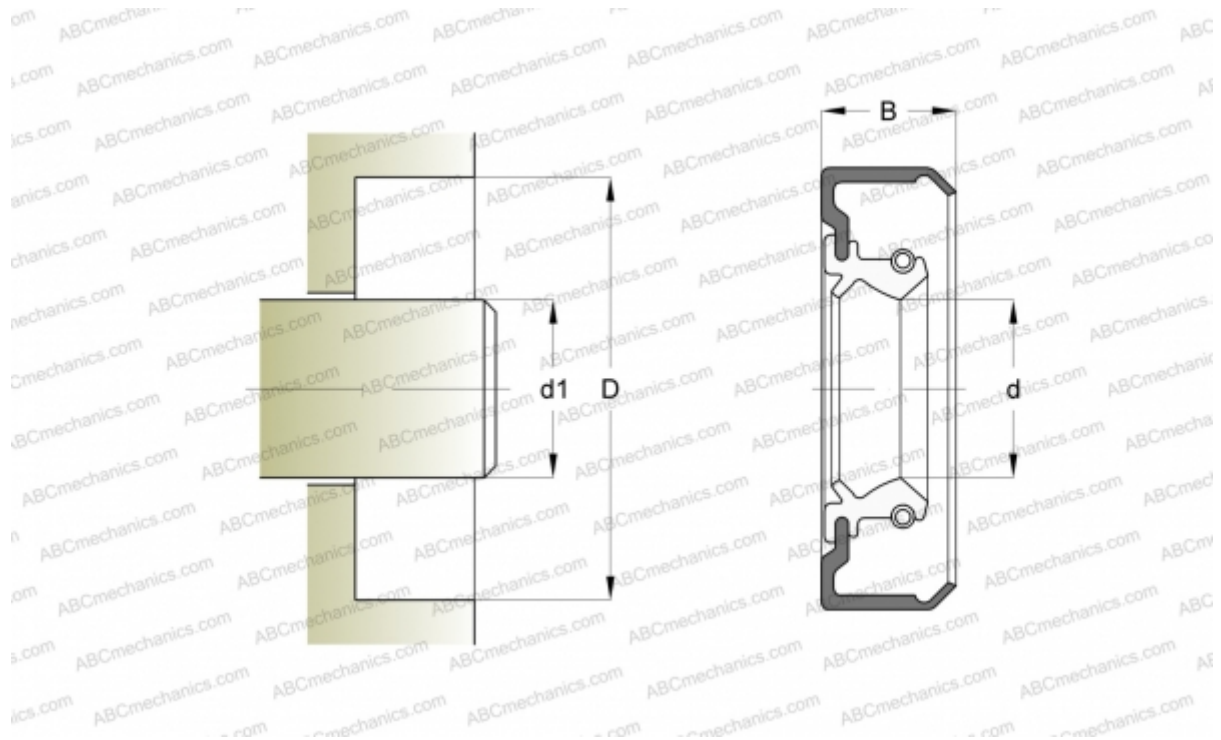


20147 SIMRIT

Radial shaft seals

TYPE: Radial shaft seals, Metal case, With spring-loaded sealing lip, Type B1SL, material 72 NBR 902 (SIMRIT)



Technical specification

DIMENSIONS, MM

| | |
|----|--------|
| d1 | 45,000 |
| d | 45,000 |
| D | 72,000 |
| B | 12,000 |

MANUFACTURER

[SIMRIT](#)

CALCULATION DATA

| | |
|------------------------------------------------------|------------|
| Operating temperature min | -40 °C |
| Operating temperature max | 100 °C |
| Permissible operating temperature, short periods max | 120 °C |
| Pressure differential max | 0,050 Mpa |
| Maximum shaft surface speed | 10,000 m/s |

REPLACES

B1SL 45-72-12 72 NBR 902 (20147)