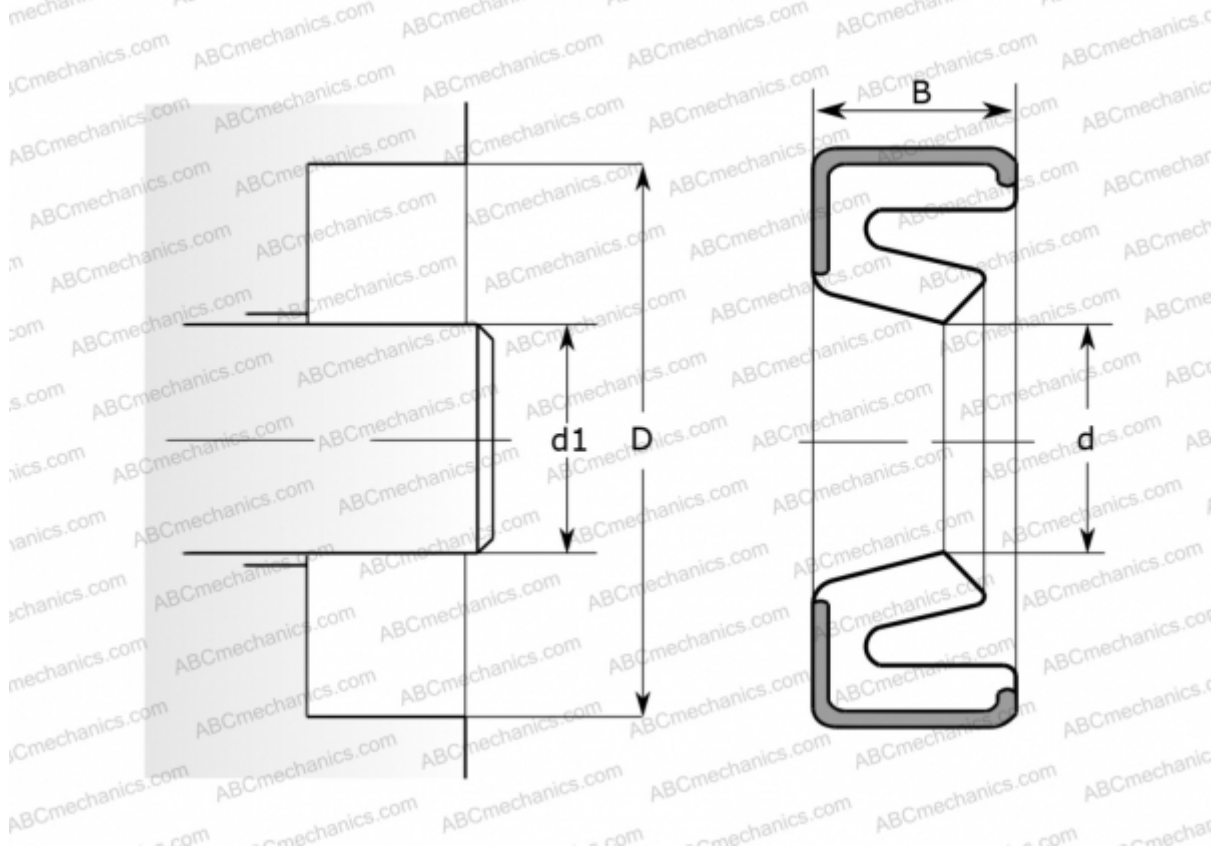


20247 SIMRIT

Radial shaft seals

TYPE: Radial shaft seals, Metal case, Springless sealing lip, Type B1OF, material 72 NBR 902 (SIMRIT)



Technical specification

DIMENSIONS, MM

d_1	10,000
d	10,000
D	16,000
B	4,000

MANUFACTURER

[SIMRIT](#)

CALCULATION DATA

Operating temperature min	-40 °C
Operating temperature max	100 °C
Pressure differential max	0,020 Mpa
Maximum shaft surface speed	6,000 m/s

REPLACES

B1OF 10-16-4 72 NBR 902 (20247)