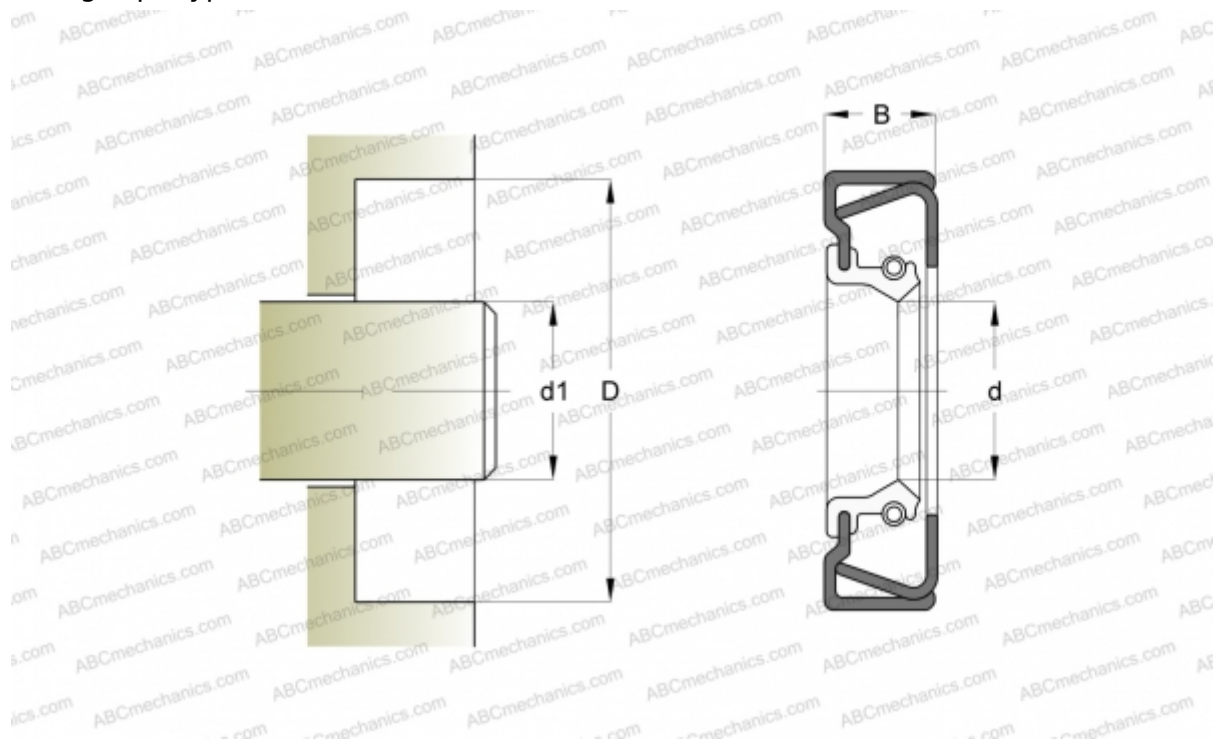


## 22790 SIMRIT

Radial shaft seals

TYPE: Radial shaft seals, Metal case and a secondary reinforcement in the side face, With spring-loaded sealing slip, Type B2U, material 72 NBR 902 (SIMRIT)



### Technical specification

#### DIMENSIONS, MM

|    |        |
|----|--------|
| d1 | 73,000 |
| d  | 73,000 |
| D  | 95,000 |
| B  | 10,000 |

#### MANUFACTURER

[SIMRIT](#)

#### CALCULATION DATA

|  |            |
|--|------------|
| Operating temperature min                            | -40 °C     |
| Operating temperature max                            | 100 °C     |
| Permissible operating temperature, short periods max | 120 °C     |
| Pressure differential max                            | 0,050 Mpa  |
| Maximum shaft surface speed                          | 10,000 m/s |

#### REPLACES

B2U 73-95-10 72 NBR 902 (22790)