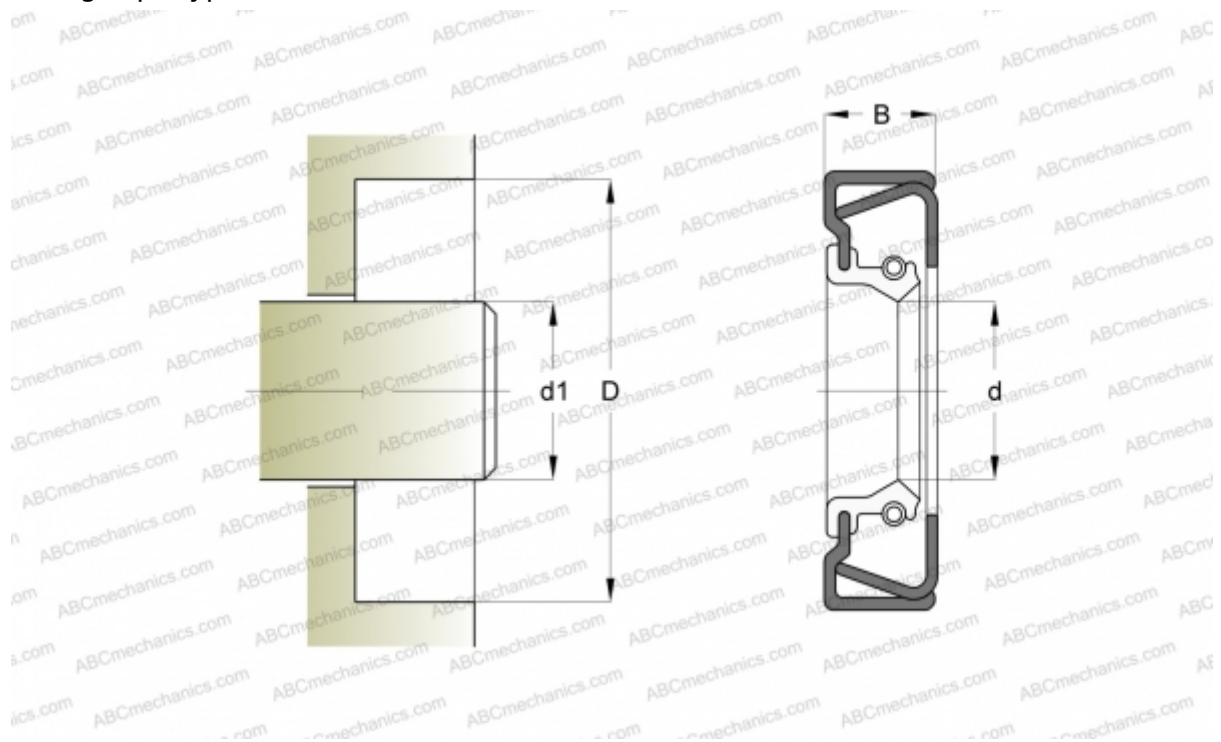


## 23026 SIMRIT

Radial shaft seals

TYPE: Radial shaft seals, Metal case and a secondary reinforcement in the side face, With spring-loaded sealing slip, Type B2, material 72 NBR 902 (SIMRIT)



### Technical specification

#### DIMENSIONS, MM

|    |        |
|----|--------|
| d1 | 40,000 |
| d  | 40,000 |
| D  | 70,000 |
| B  | 12,000 |

**MANUFACTURER** [SIMRIT](#)

#### CALCULATION DATA

|  |            |
|--|------------|
| Operating temperature min                            | -40 °C     |
| Operating temperature max                            | 100 °C     |
| Permissible operating temperature, short periods max | 120 °C     |
| Pressure differential max                            | 0,050 Mpa  |
| Maximum shaft surface speed                          | 10,000 m/s |

#### REPLACES

B2 40-70-12 72 NBR 902 (23026)