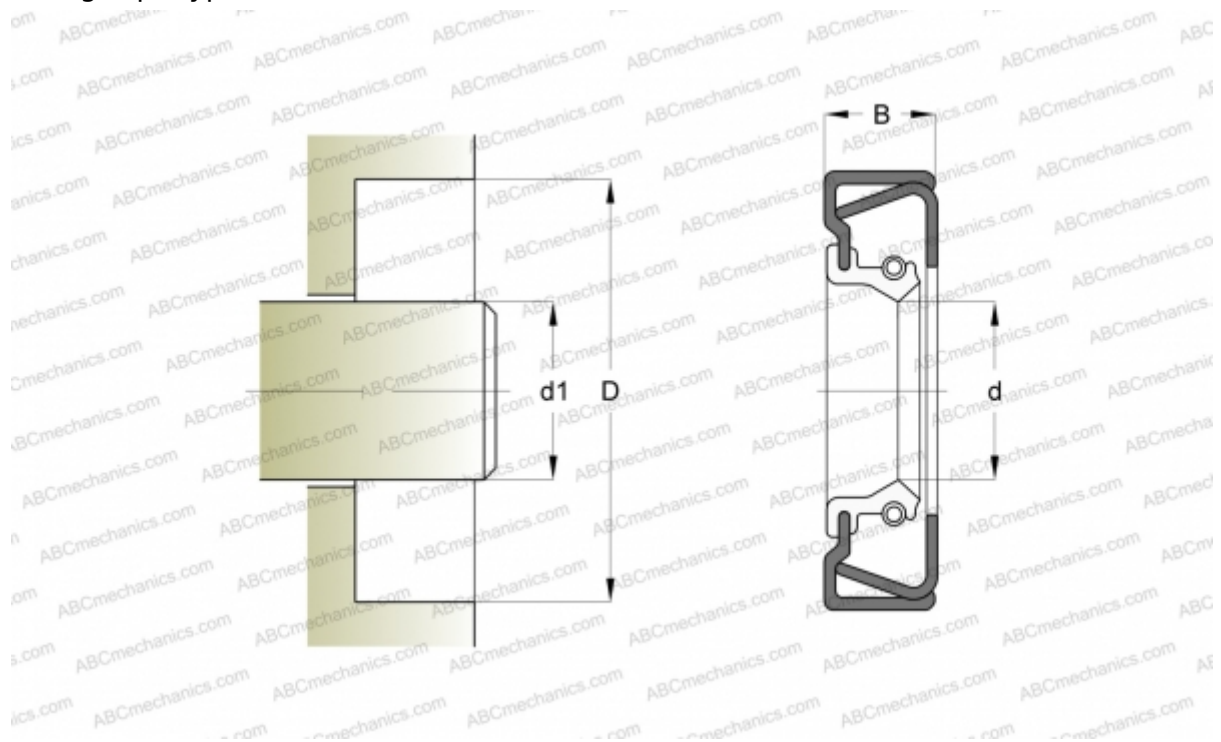


## 334915 SIMRIT

Radial shaft seals

TYPE: Radial shaft seals, Metal case and a secondary reinforcement in the side face, With spring-loaded sealing slip, Type B2FUD, material 72 NBR 902 (SIMRIT)



### Technical specification

#### DIMENSIONS, MM

|       |        |
|-------|--------|
| $d_1$ | 30,000 |
| $d$   | 30,000 |
| $D$   | 62,000 |
| $B$   | 10,000 |

**MANUFACTURER** [SIMRIT](#)

#### CALCULATION DATA

|  |            |
|--|------------|
| Operating temperature min                            | -40 °C     |
| Operating temperature max                            | 100 °C     |
| Permissible operating temperature, short periods max | 120 °C     |
| Pressure differential max                            | 0,020 Mpa  |
| Maximum shaft surface speed                          | 10,000 m/s |

#### REPLACES

B2FUD 30-62-10 72 NBR 902 (334915)