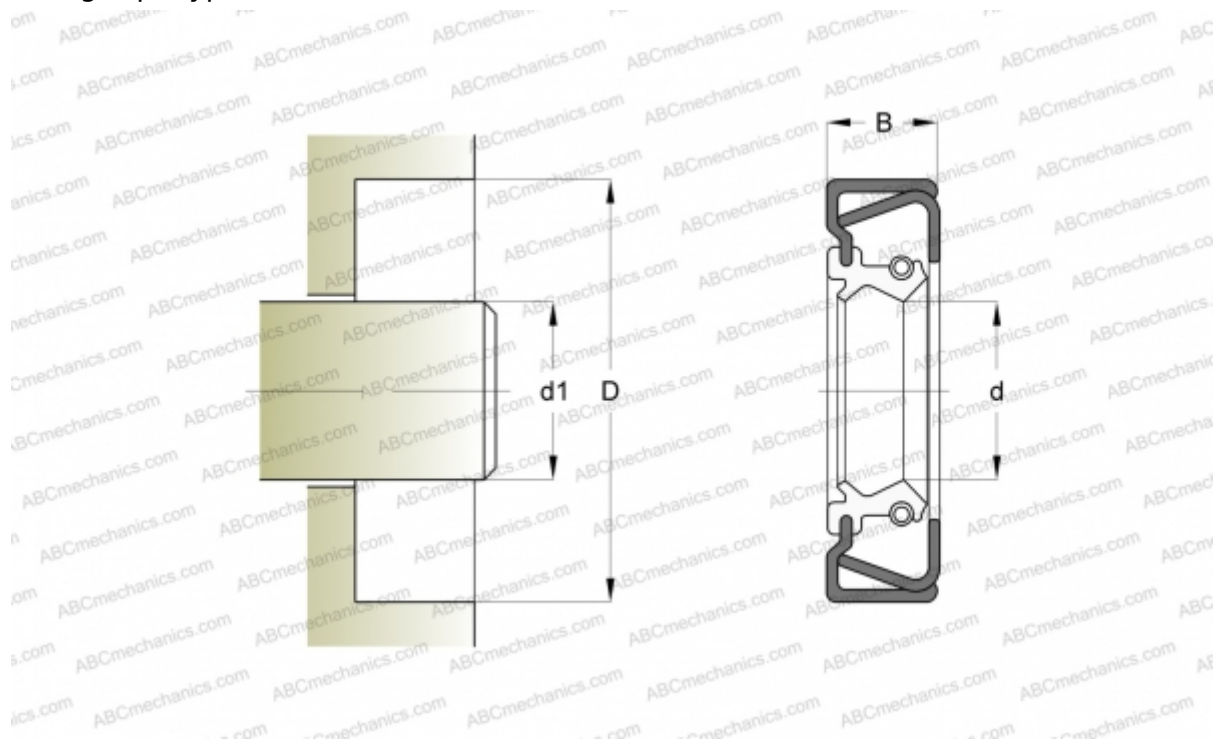


341227 SIMRIT

Radial shaft seals

TYPE: Radial shaft seals, Metal case and a secondary reinforcement in the side face, With spring-loaded sealing lip, Type B2FUDSL, material 72 NBR 902 (SIMRIT)



Technical specification

DIMENSIONS, MM

d_1	148,000
d	148,000
D	170,000
B	14,500

MANUFACTURER [SIMRIT](#)

CALCULATION DATA

Operating temperature min	-40 °C
Operating temperature max	100 °C
Permissible operating temperature, short periods max	120 °C
Pressure differential max	0,020 Mpa
Maximum shaft surface speed	10,000 m/s

REPLACES

5 72 NBR 902 (341227)