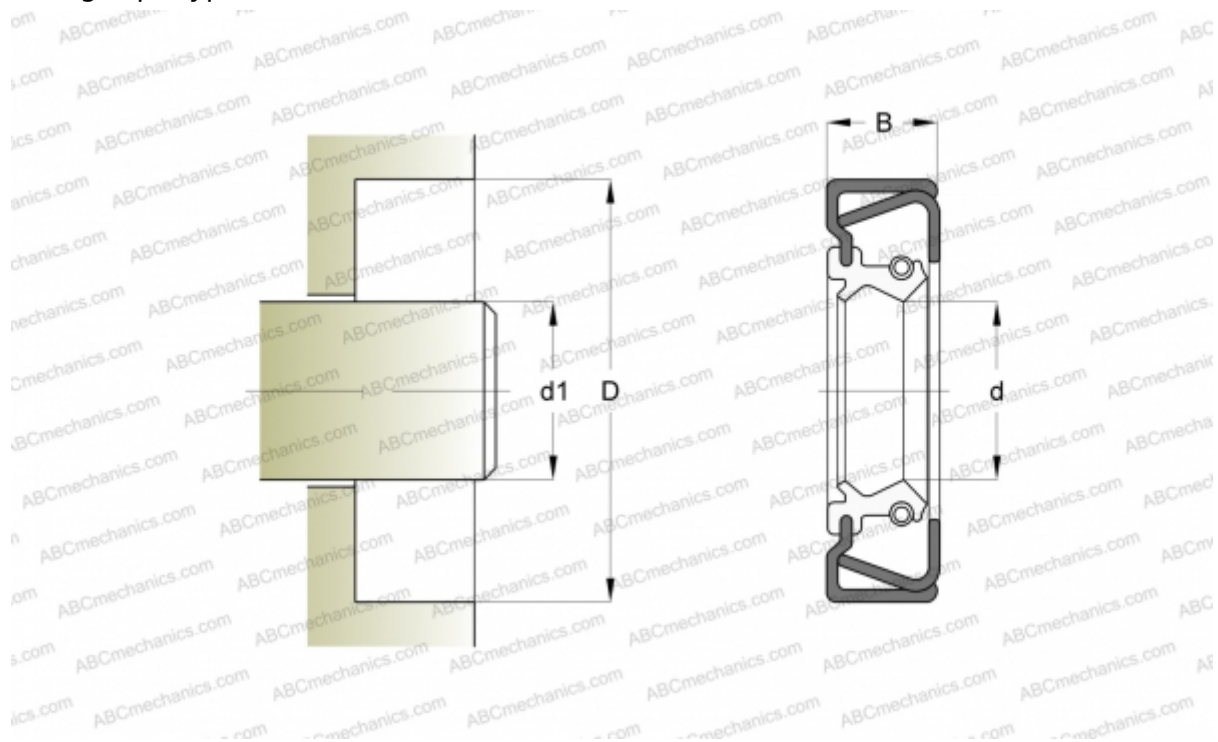


355453 SIMRIT

Radial shaft seals

TYPE: Radial shaft seals, Metal case and a secondary reinforcement in the side face, With spring-loaded sealing lip, Type B2FUDSL, material 72 NBR 902 (SIMRIT)



Technical specification

DIMENSIONS, MM

d_1	160,000
d	160,000
D	190,000
B	15,000

MANUFACTURER

[SIMRIT](#)

CALCULATION DATA

Operating temperature min	-40 °C
Operating temperature max	100 °C
Permissible operating temperature, short periods max	120 °C
Pressure differential max	0,020 Mpa
Maximum shaft surface speed	10,000 m/s

REPLACES

B2FUDSL 160-190-15 72 NBR 902 (355453)