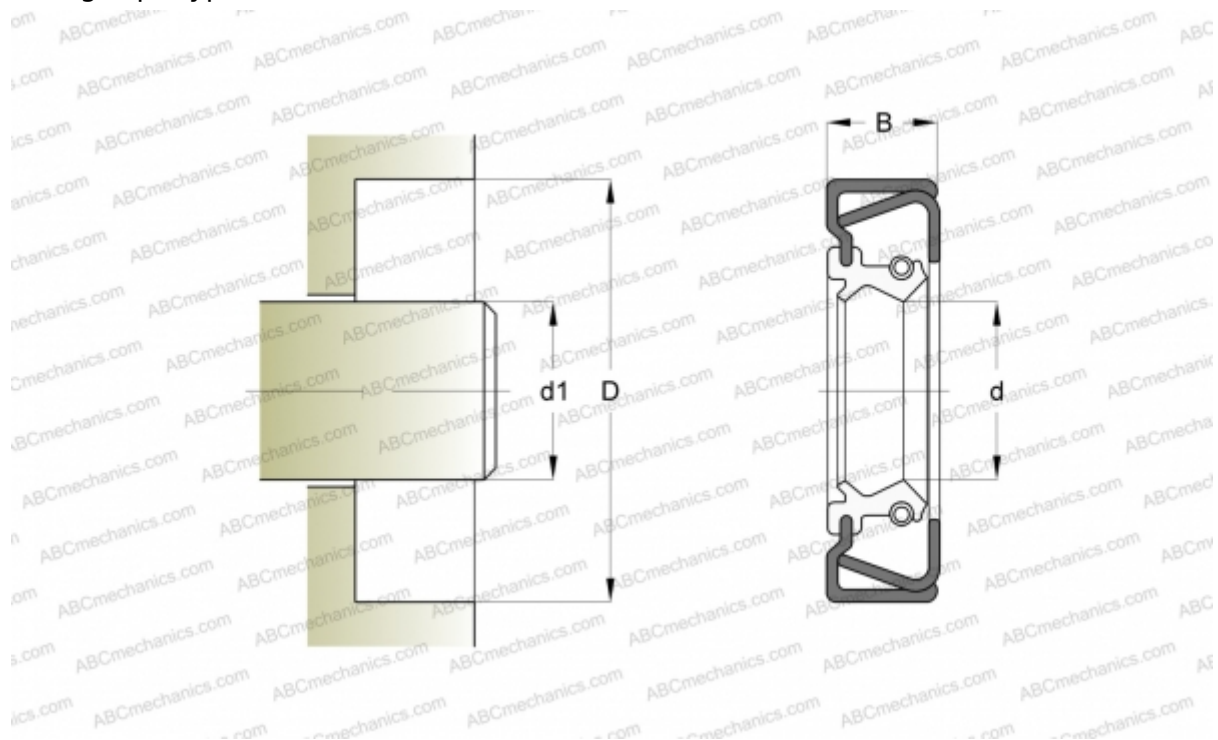


## 23470 SIMRIT

Radial shaft seals

TYPE: Radial shaft seals, Metal case and a secondary reinforcement in the side face, With spring-loaded sealing lip, Type B2USL, material 72 NBR 902 (SIMRIT)



### Technical specification

#### DIMENSIONS, MM

$d1$	100,000
$d$	100,000
$D$	130,000
$B$	13,000

#### MANUFACTURER

[SIMRIT](#)

#### CALCULATION DATA

Operating temperature min	-40 °C
Operating temperature max	100 °C
Permissible operating temperature, short periods max	120 °C
Pressure differential max	0,050 Mpa
Maximum shaft surface speed	10,000 m/s

#### REPLACES

B2USL 100-130-13 72 NBR 902 (23470)