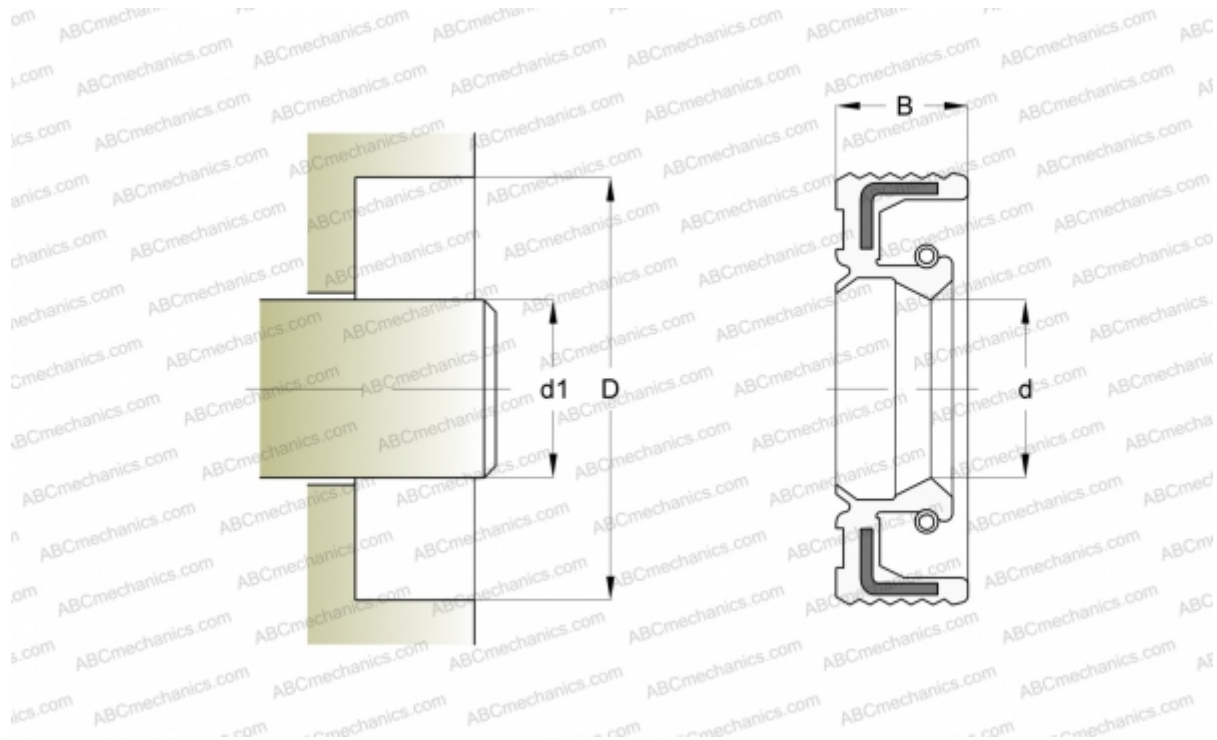


## 49006102 SIMRIT

Radial shaft seals

TYPE: Radial shaft seals, With a rubber outside diameter, With spring-loaded sealing lip, Type BAUSLX2, material 72 NBR 902 (SIMRIT)



### Technical specification

#### DIMENSIONS, MM

|       |        |
|-------|--------|
| $d_1$ | 45,000 |
| $d$   | 45,000 |
| $D$   | 72,000 |
| $B$   | 8,000  |

#### MANUFACTURER

[SIMRIT](#)

#### CALCULATION DATA

|  |            |
|--|------------|
| Operating temperature min                            | -40 °C     |
| Operating temperature max                            | 100 °C     |
| Permissible operating temperature, short periods max | 120 °C     |
| Pressure differential max                            | 0,050 Mpa  |
| Maximum shaft surface speed                          | 10,000 m/s |

#### REPLACES

BAUSLX2 45-72-8 72 NBR 902 (49006102)