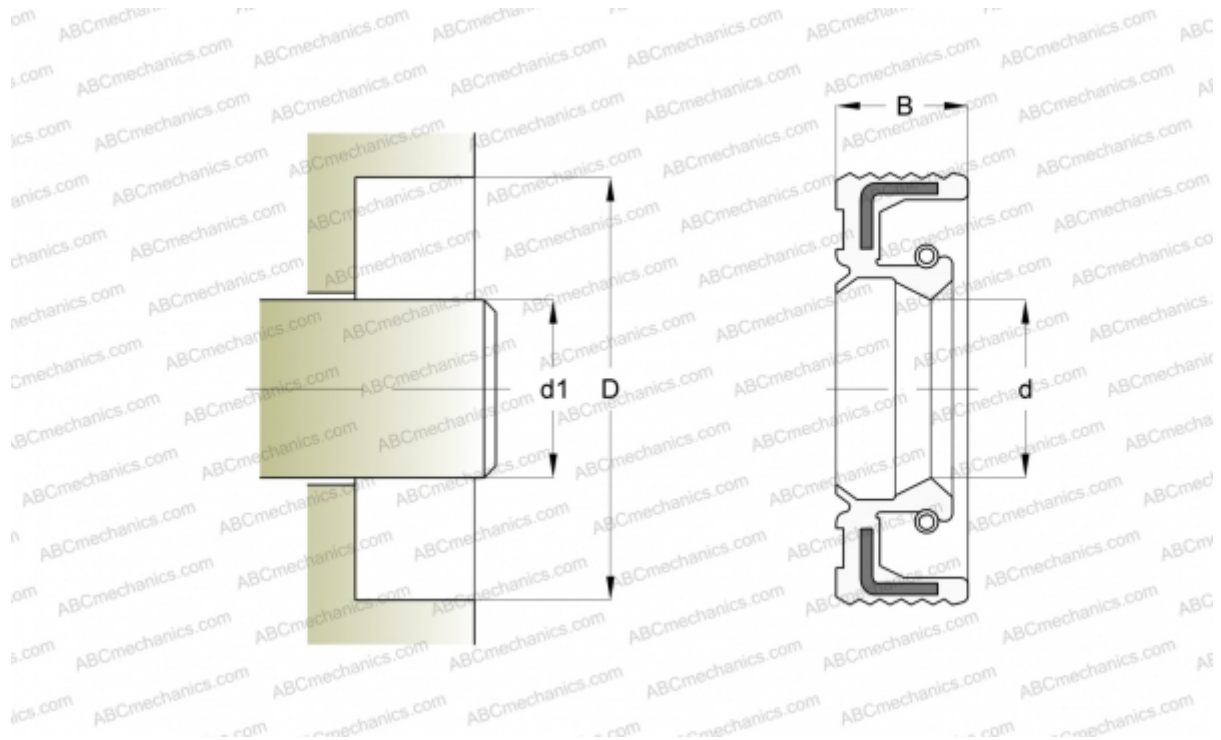


## 379252 SIMRIT

Radial shaft seals

TYPE: Radial shaft seals, With a rubber outside diameter, With spring-loaded sealing lip, Type BABSL, material 72 NBR 902 (SIMRIT)



### Technical specification

#### DIMENSIONS, MM

d1	47,000
d	47,000
D	62,000
B	7,000

**MANUFACTURER** [SIMRIT](#)

#### CALCULATION DATA

Operating temperature min	-40 °C
Operating temperature max	100 °C
Maximum shaft surface speed	10,000 m/s

#### REPLACES

BABSL 47-62-7 72 NBR 902 (379252)