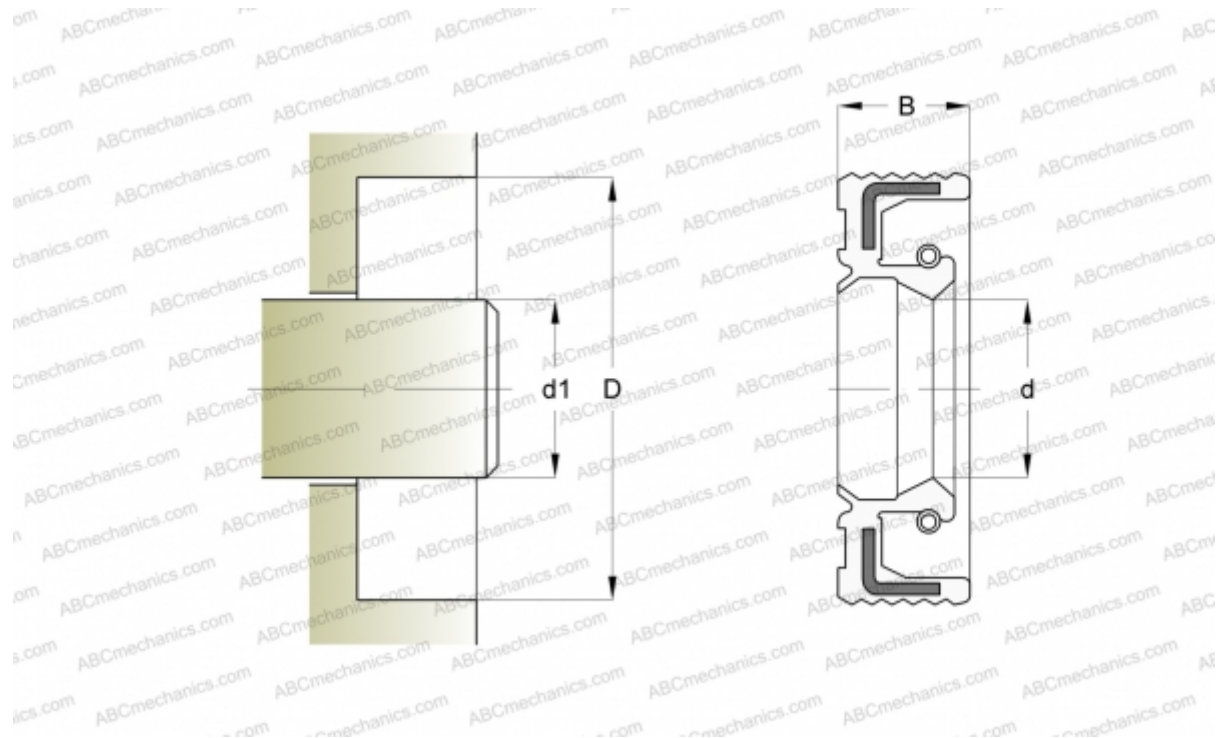


49009018 SIMRIT

Radial shaft seals

TYPE: Radial shaft seals, With a rubber outside diameter, With spring-loaded sealing lip, Type BABSL, material 75 FKM 585 (SIMRIT)



Technical specification

DIMENSIONS, MM

d_1	18,000
d	18,000
D	35,000
B	6,000

MANUFACTURER [SIMRIT](#)

CALCULATION DATA

Operating temperature min	-25 °C
Operating temperature max	160 °C
Maximum shaft surface speed	10,000 m/s

REPLACES

BABSL 18-35-6 75 FKM 595 (49009018)